

HOBART

Catalogue of Replacement Parts Catalogue de Pièces de Rechange Ersatzteilkatalog



A200N

CE

PLE 200460-J-09-10
EU 8434



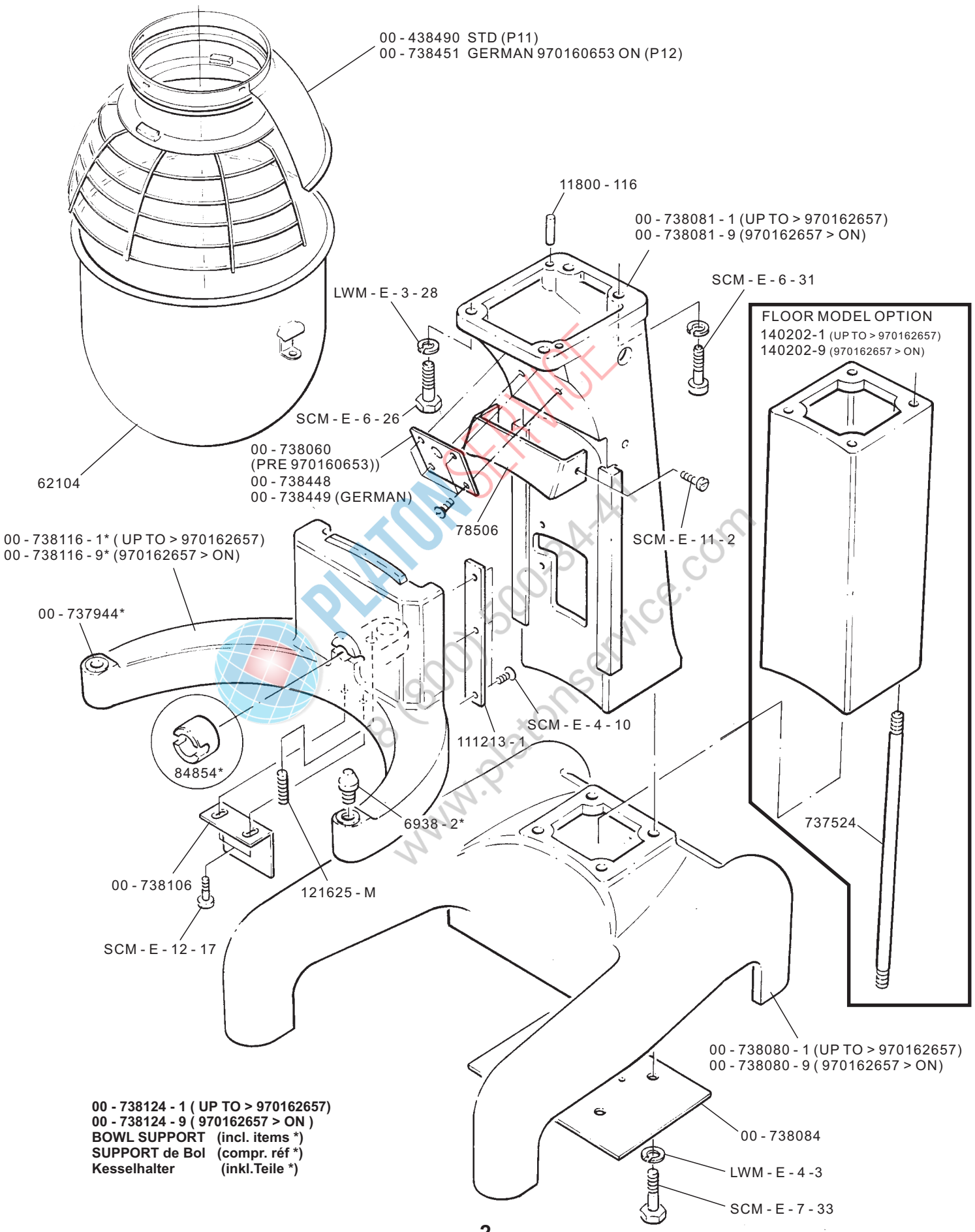
**Contents
Sommaire
Inhalt**

A200N

	Page Seite
Base, Pedestal and Bowl Unit Base, colonne, support de bol Fuß, Säule und Kesselhalter	2
Transmission Case Boîte de Vitesses Antriebsgehäuse	3
Bowl Lift Relevage de bol Kesselheber	4
Shifter Unit Changement de Vitesses Geschwindigkeitswahlschalter	5
Planetary Assembly Ensemble du planétaire Planetenkopf	6
Attachment Hub Unit Canon Porte Accessoires Ansatznabe	7
Centre Shaft Arbre Central Getriebewelle	8
Transmission Shaft Arbre Intermédiaire Antriebswelle	9
Worm Gear shaft Arbre roue hélicoïdale Schneckenradwelle	10
Guard Assembly Sécurité de bol Schutzgitter	11
Guard Assembly (German) Sécurité de bol Schutzgitter	12
Electrical Parts Pièces Electriques Elektroteile	13 - 18
Agitators Agitateurs Rührwerkzeuge	19



Base, Pedestal and Bowl Unit
Base, colonne, support de bol
Fuß, Säule und Kessel halter



FLOOR MODEL OPTION
 140202-1 (UP TO > 970162657)
 140202-9 (970162657 > ON)

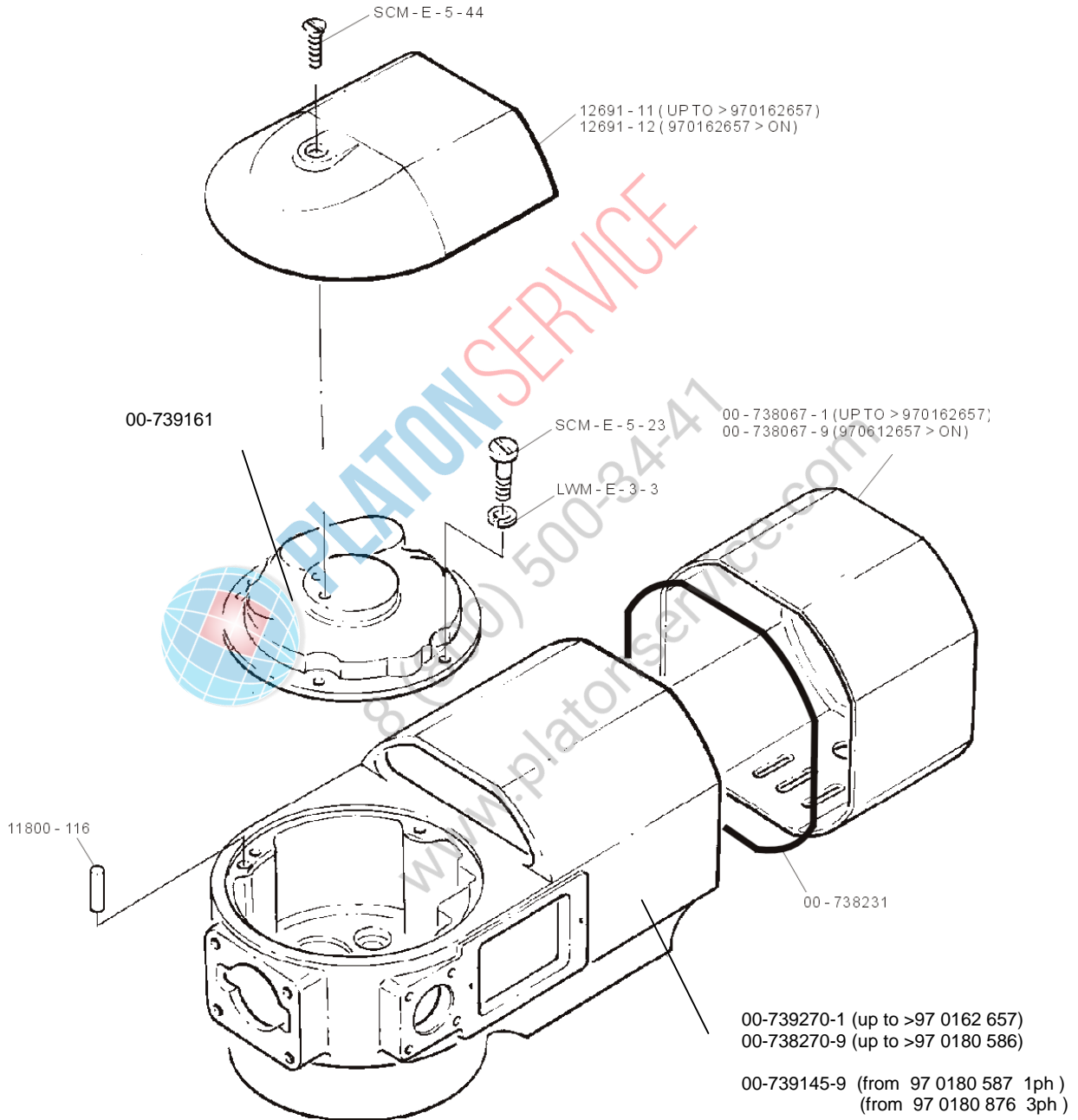
00 - 738124 - 1 (UP TO > 970162657)
 00 - 738124 - 9 (970162657 > ON)
BOWL SUPPORT (incl. items *)
SUPPORT de Bol (compr. réf *)
Kesselhalter (inkl. Teile *)

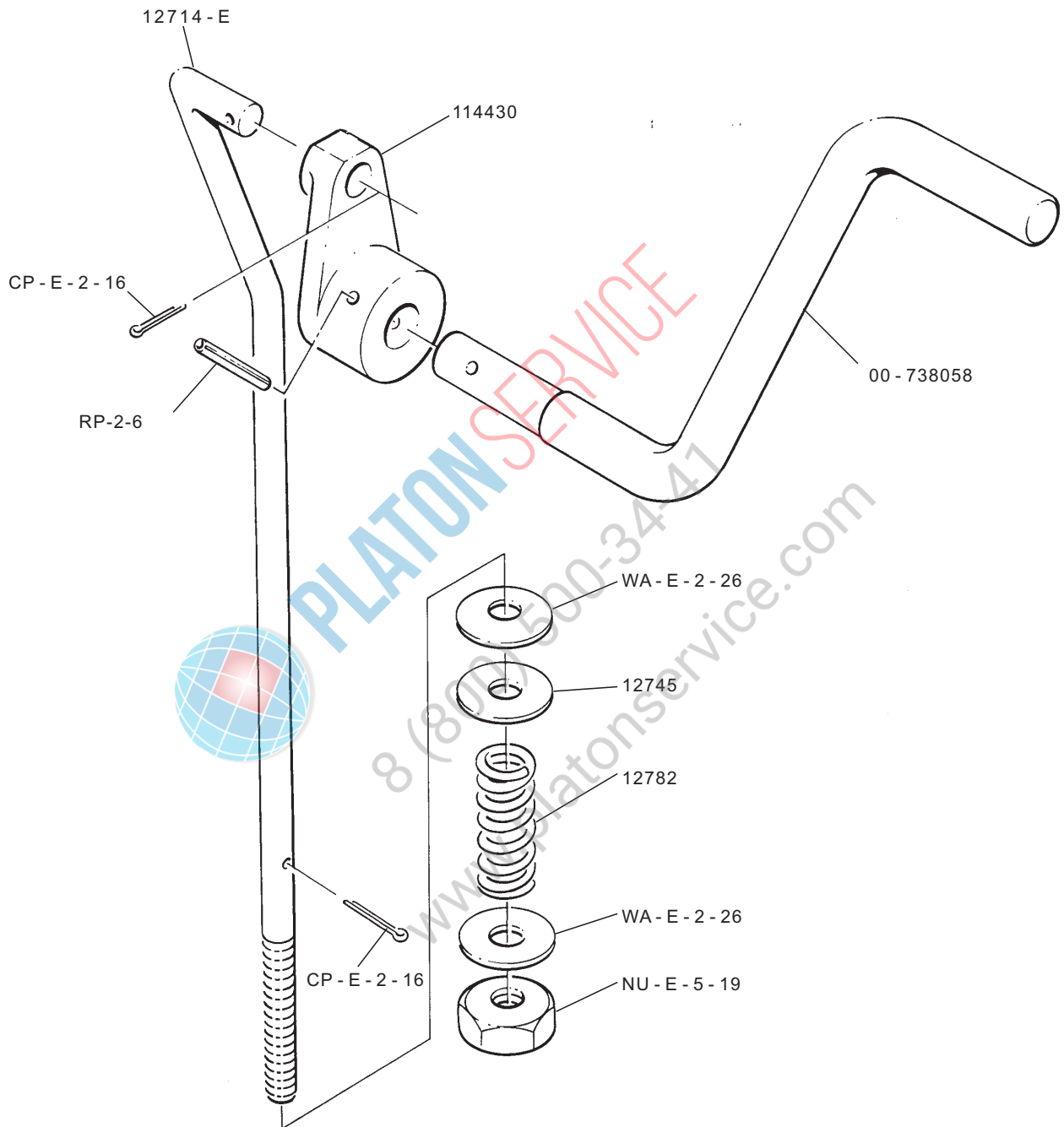


Transmission case
Boîte de Vitesses
Antriebsgehäuse

A200N

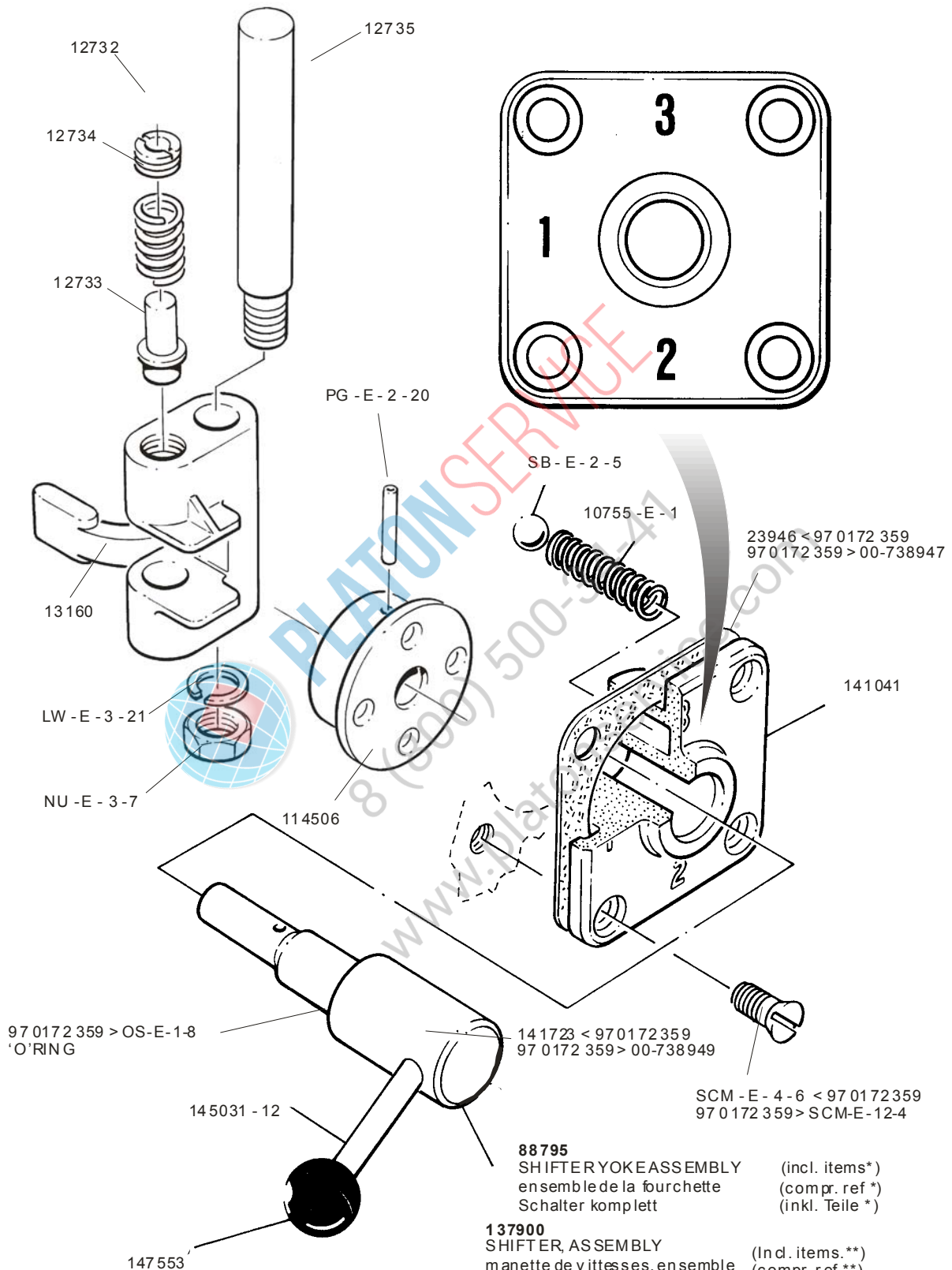
FOR MACHINES FROM SERIAL No 97 0186 894 A200-FIHE
No 97 0186 957 A200-F3HE
REFER TO APPENDIX 2 FOR PRIOR MACHINES





Shifter Unit
Changement de Vitesses
Geschwindigkeitswahlschalter

A200N

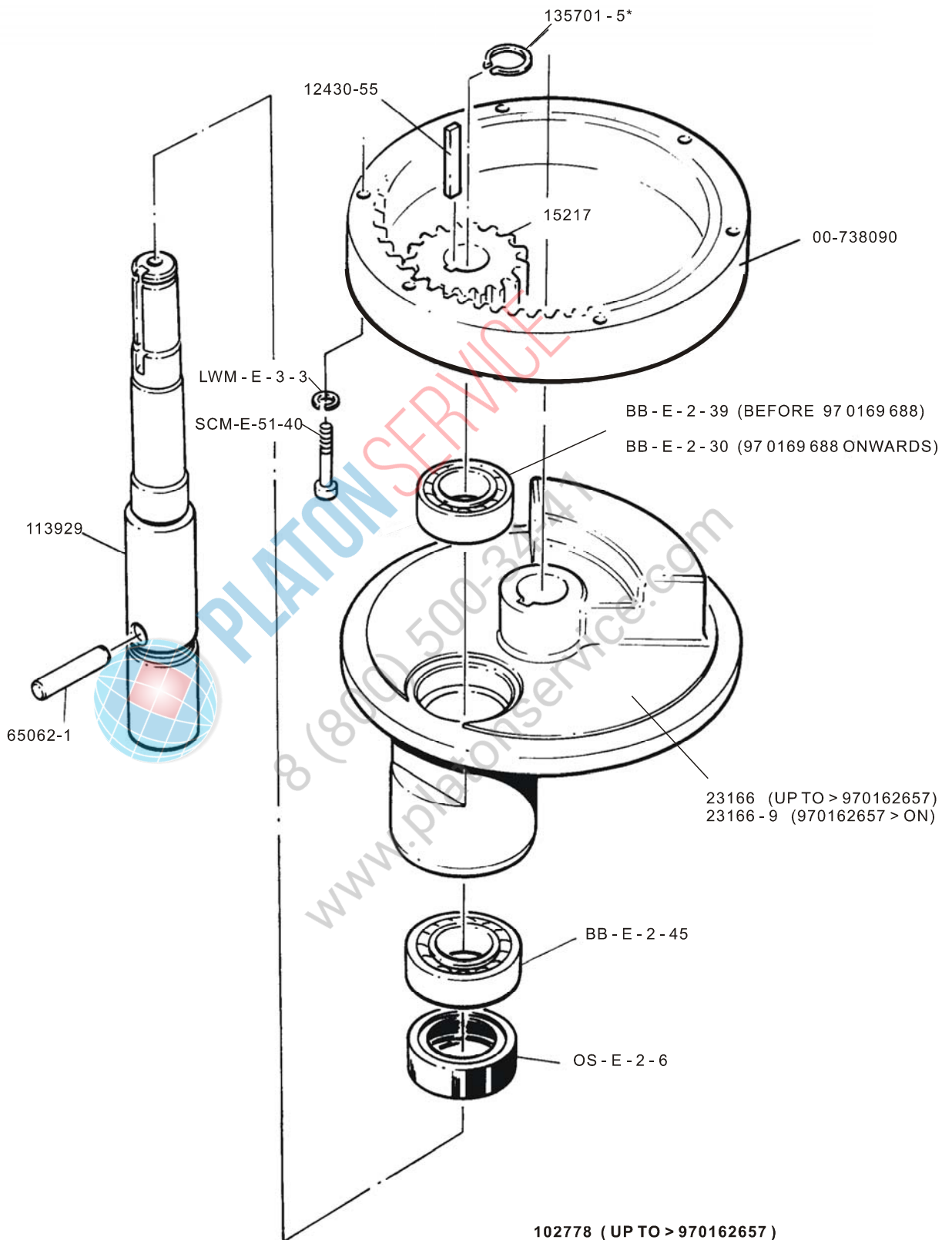


88795
 SHIFTER YOKE ASSEMBLY (incl. items*)
 ensemble de la fourchette (compr. ref.)*
 Schaltermechanismus (inkl. Teile*)

137900
 SHIFTER, ASSEMBLY (Incl. items.**)
 manette de vitesses, ensemble (compr. ref.**)
 Schaltermechanismus (inkl. Teile**)

799999 - 10
 SHIFTER, ASSEMBLY (Swiss only) (incl. items**)
 manette de vitesses, ensemble (Suisse seul.) (compr. ref.**)
 Schaltermechanismus (nur Schweiz) (inkl. Teile**)

GEAR CHANGE SERIAL No
 BREAK 97 0172 359
 Ref ETI-PC 379

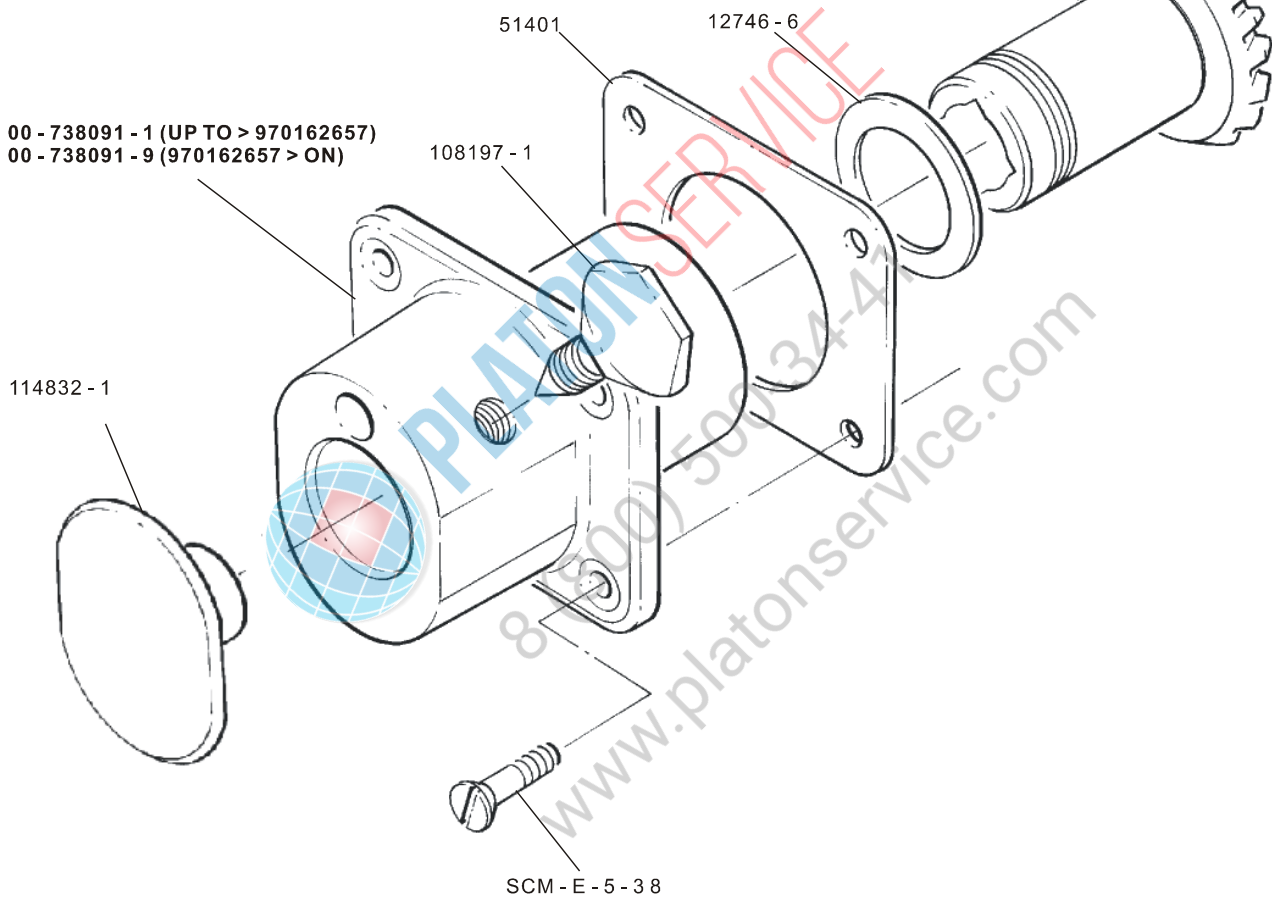


102778 (UP TO > 970162657)
102778-9 (970162657 > ON)
 PLANETARY, ASSEMBLY (incl. items *)
 planetaire, ensemble (compr. ref. *)
 Planetengetriebe, komplett (inkl. Teile *)

**Attachment Hub Unit
Canon Porte Accessoires
Ansatznabe**

A200N

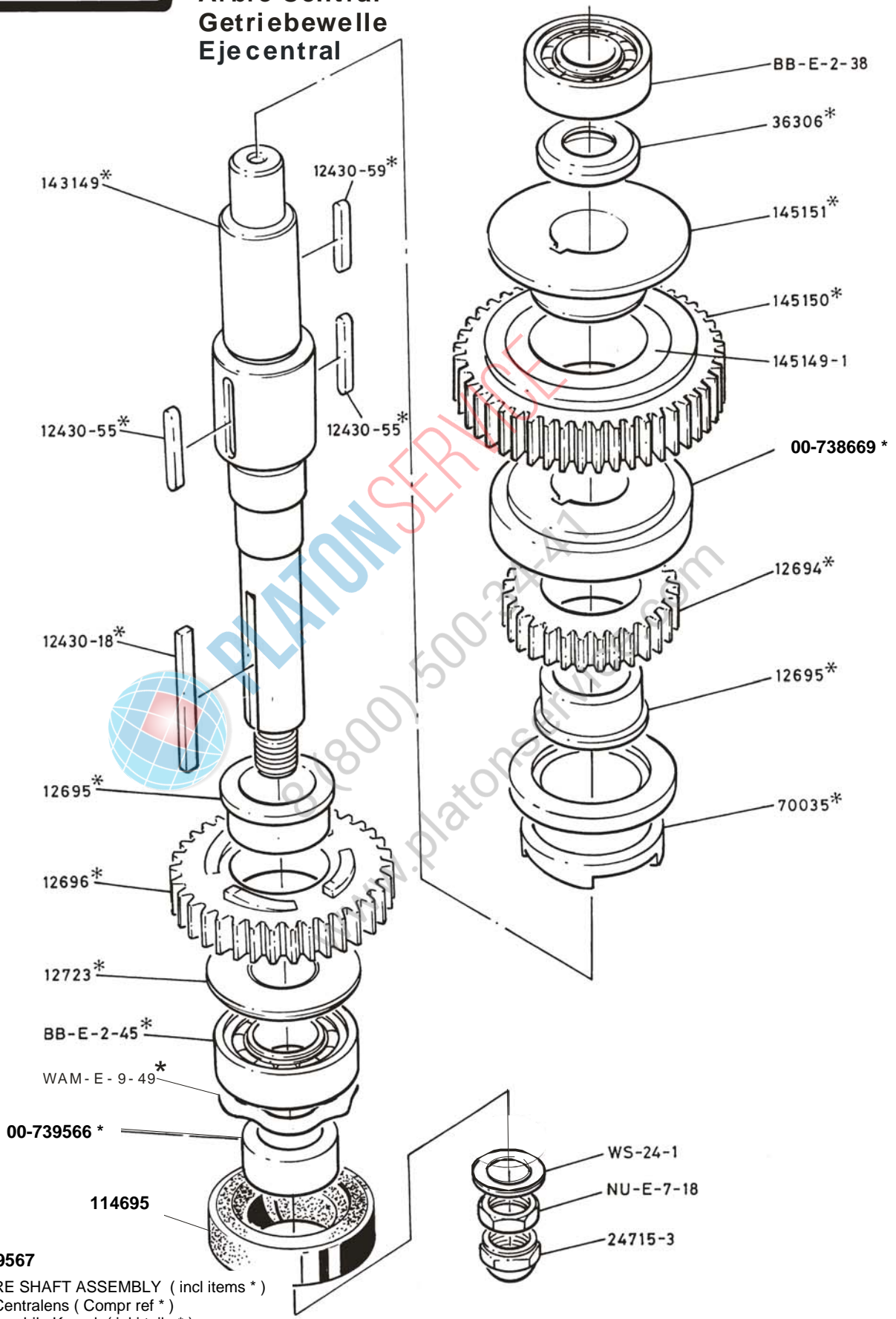
137286 & WP-E-2-3 > SER No 97 0167 055
00-738780 SER No 97 0167 056 <





**Centre Shaft
Arbre Central
Getriebewelle
Eje central**

FOR MACHINES FROM SERIAL No 97 0186 894 A200-FIHE
No 97 0186 957 A200-F3HE
REFER TO APPENDIX 3 FOR PRIOR MACHINES



00-739567

CENTRE SHAFT ASSEMBLY (incl items *)
Arbre Centralens (Compr ref *)
Getriebewelle Kompl (inki teile *)

**Transmission Shaft
Arbre Intermédiaire
Antriebswelle**

A200N

Note NU-E-5-19 nut and thread on shaft 00-738102 removed from machines after 97 0167 675

BB - E - 2 - 29

12744 incorporated into the shaft 00-738102

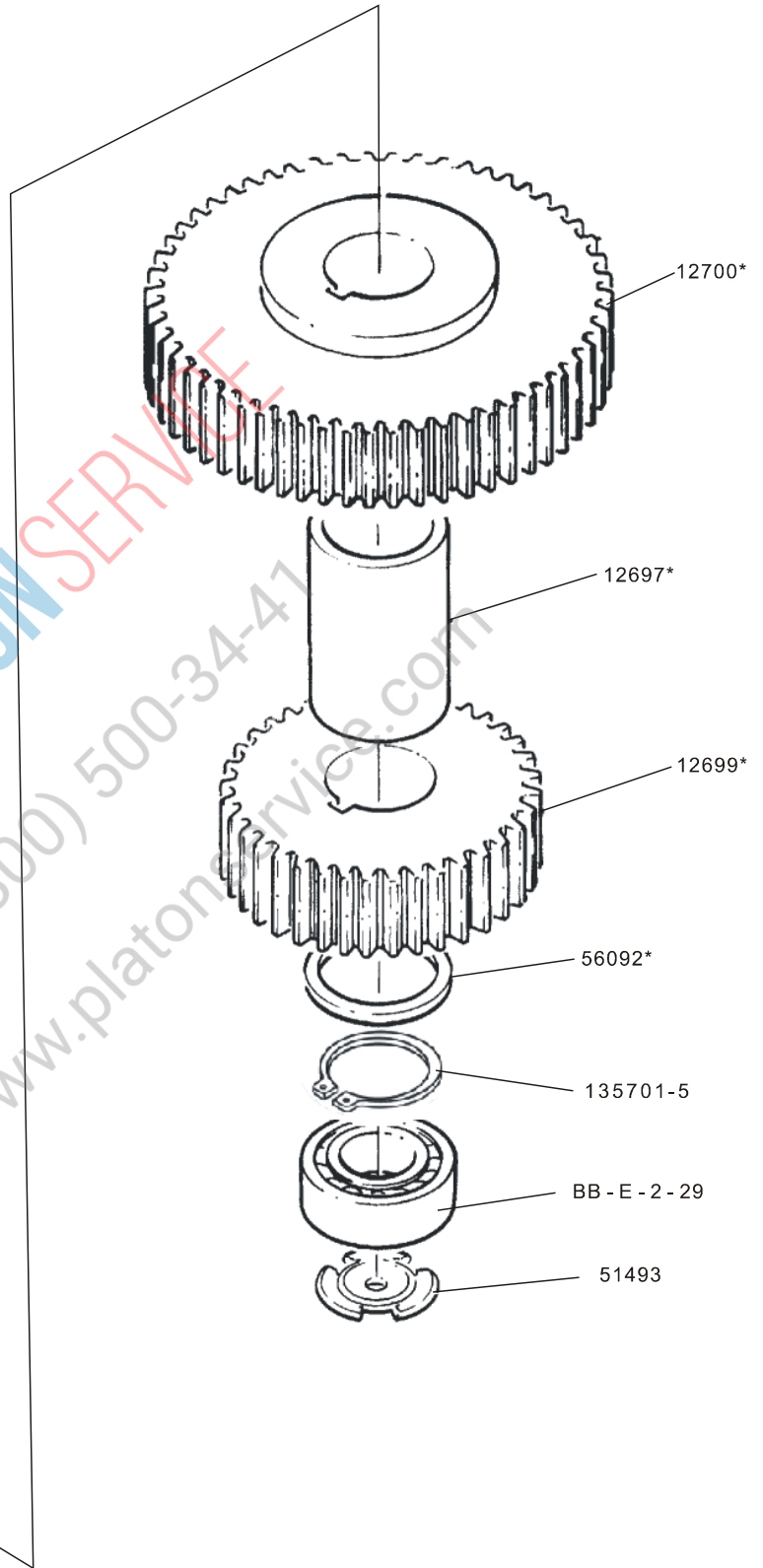
109070 - 18*

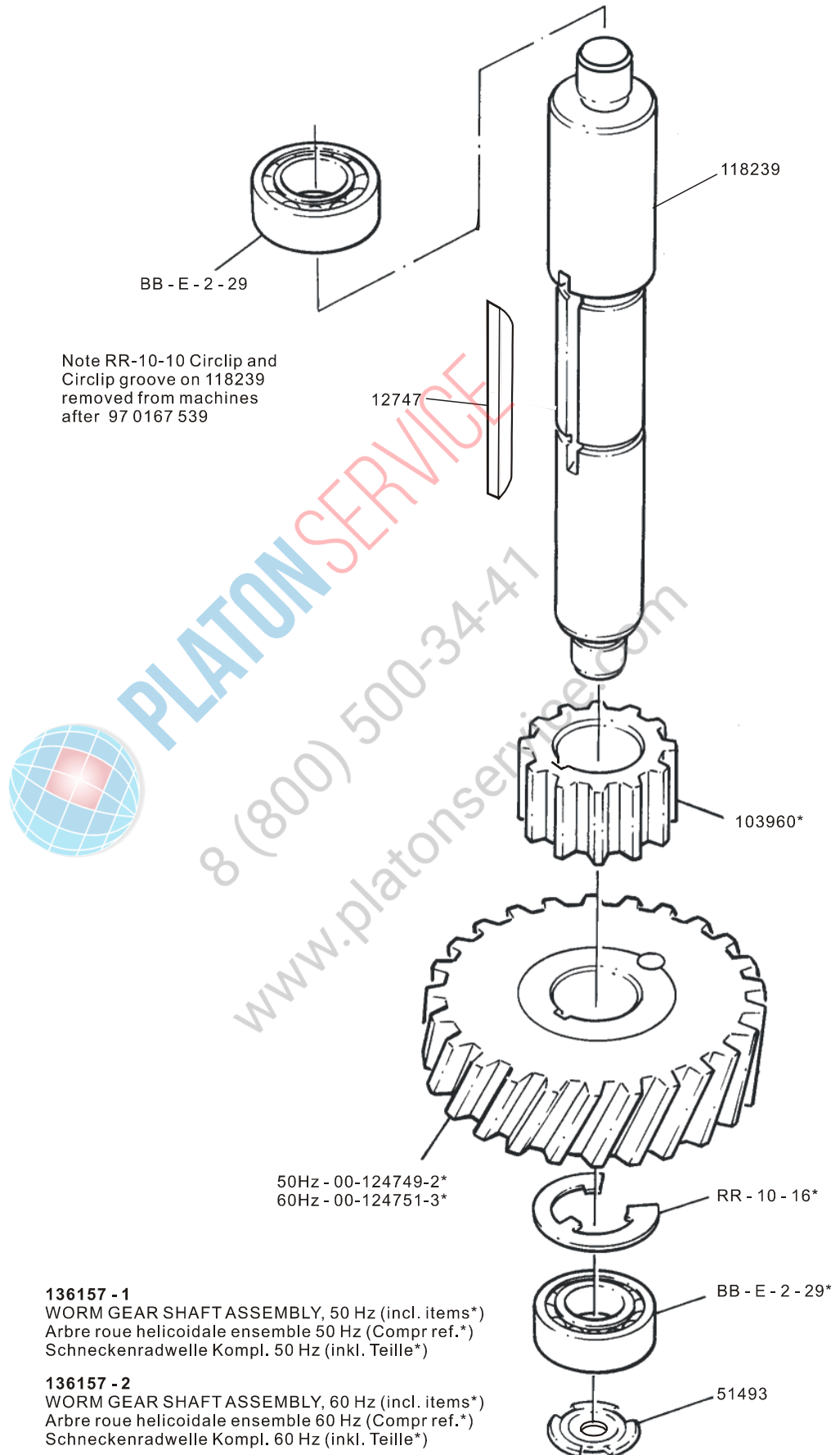
00 - 738102

109070 - 18*

00 - 738115

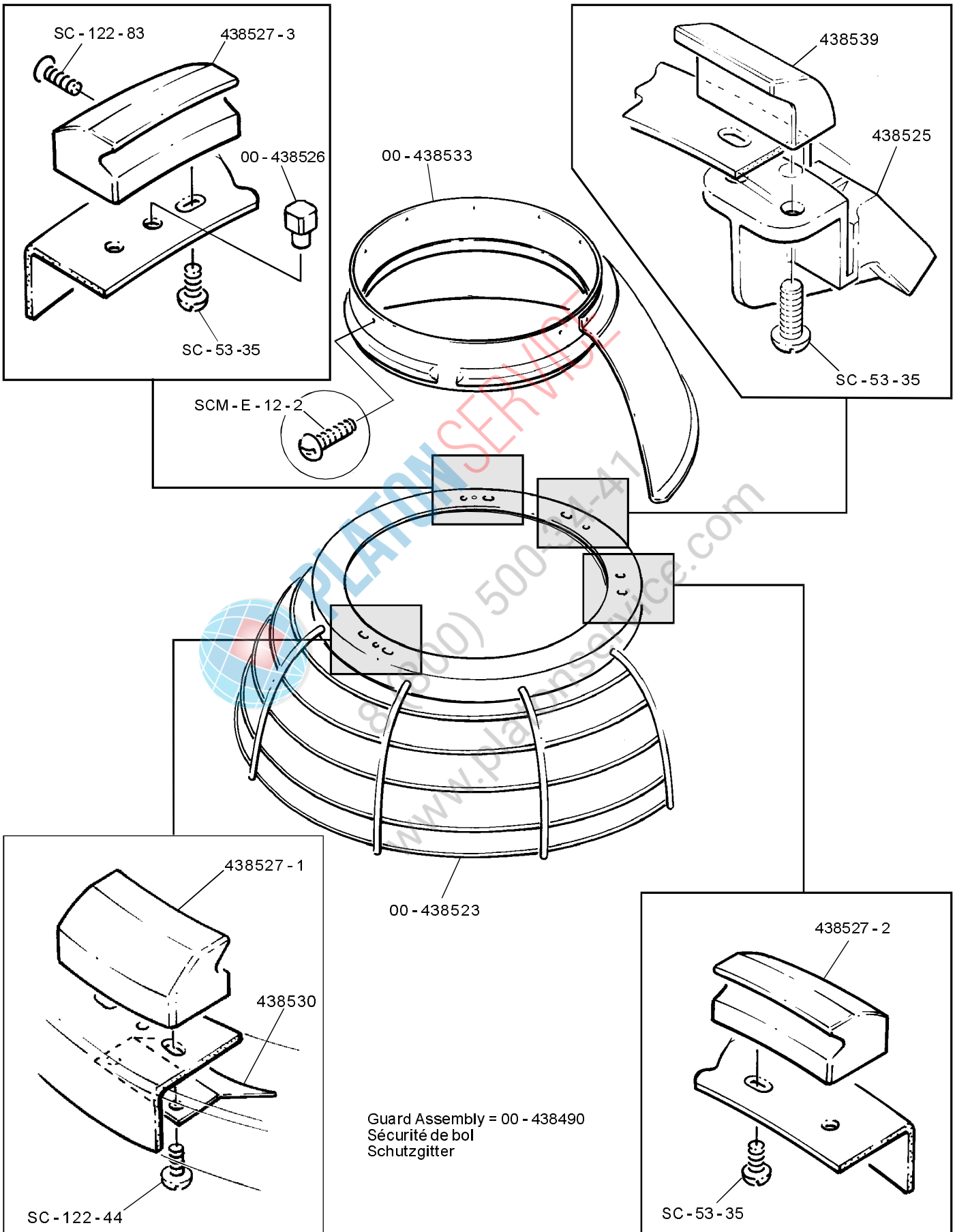
TRANSMISSION SHAFT, ASSEMBLY (incl. item*)
arbre intermédiaire, ensemble (compr. ref.*)
Antriebswelle, komplett (inkl. Teile*)





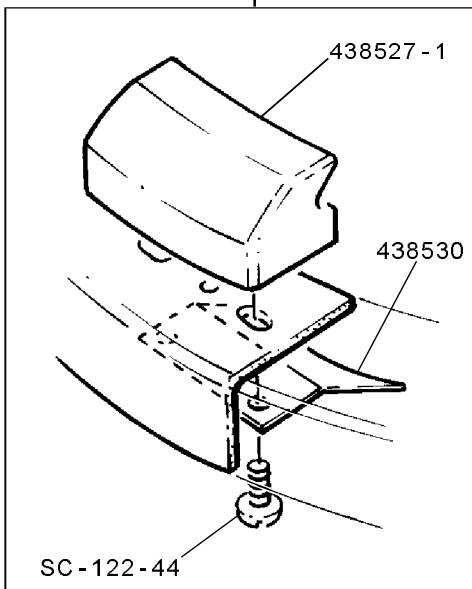
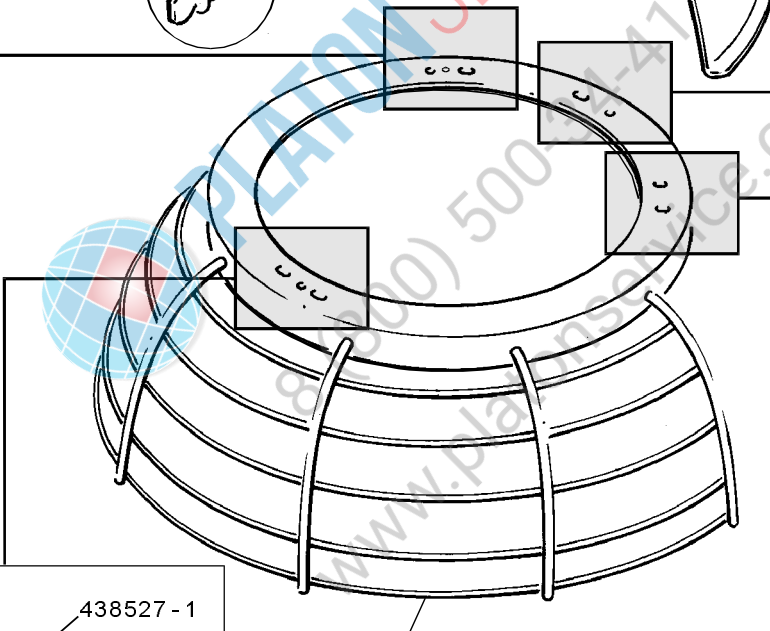
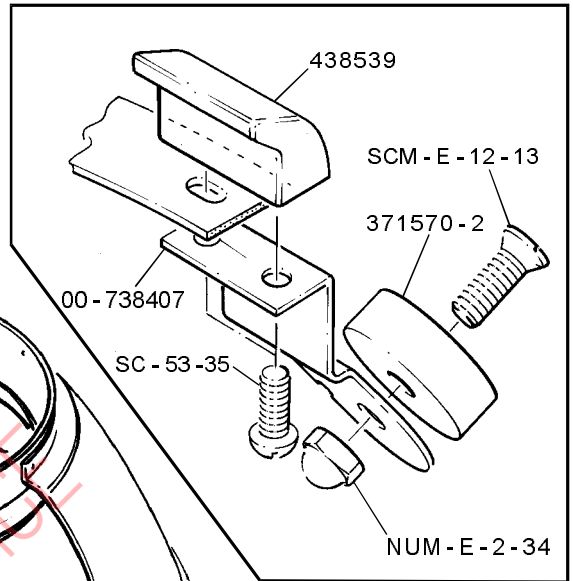
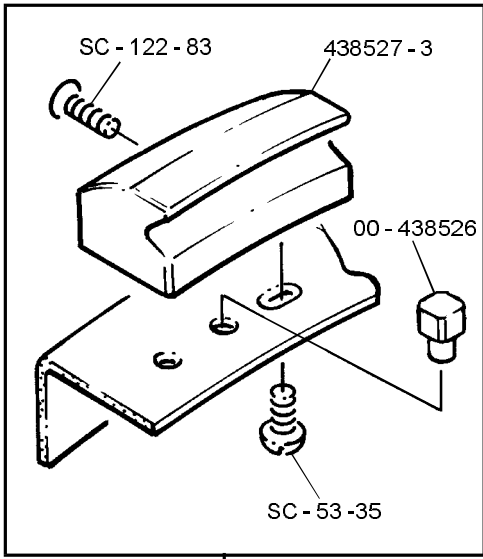
136157 - 1
WORM GEAR SHAFT ASSEMBLY, 50 Hz (incl. items*)
Arbre roue hélicoïdale ensemble 50 Hz (Compr ref.)*
Schneckenradwelle Kompl. 50 Hz (inkl. Teile*)

136157 - 2
WORM GEAR SHAFT ASSEMBLY, 60 Hz (incl. items*)
Arbre roue hélicoïdale ensemble 60 Hz (Compr ref.)*
Schneckenradwelle Kompl. 60 Hz (inkl. Teile*)

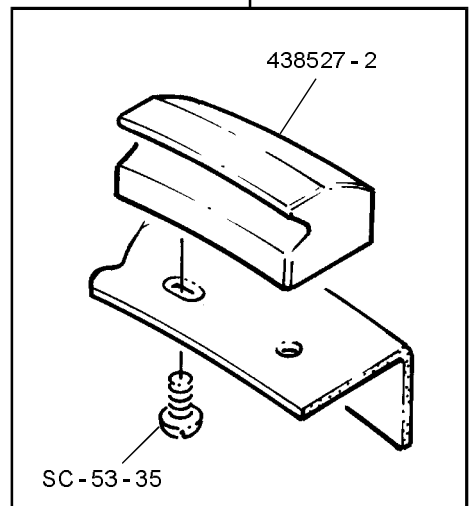




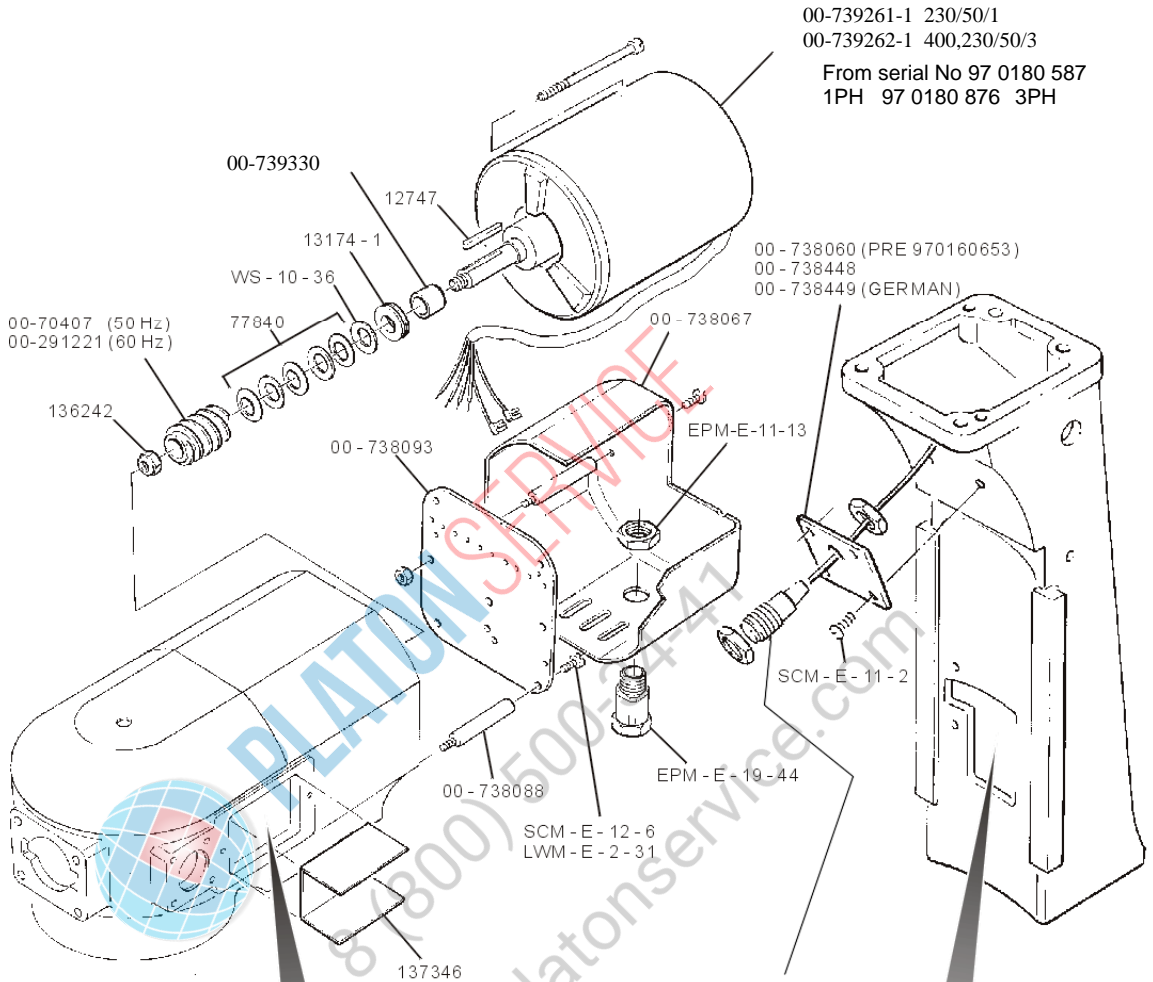
Guard Assembly (GERMAN)
Sécurité de bol
Schutzgitter



Guard Assembly = 00-738451
Sécurité de bol
Schutzgitter

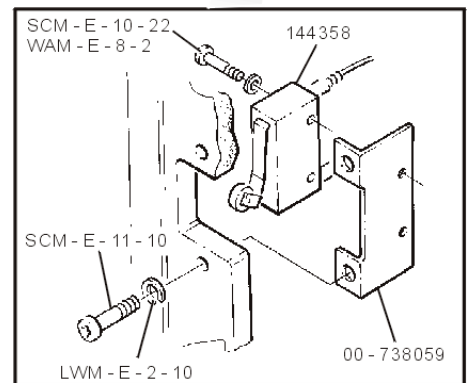
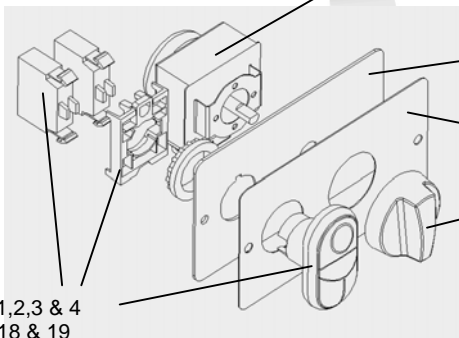


See appendix page 1 and 4



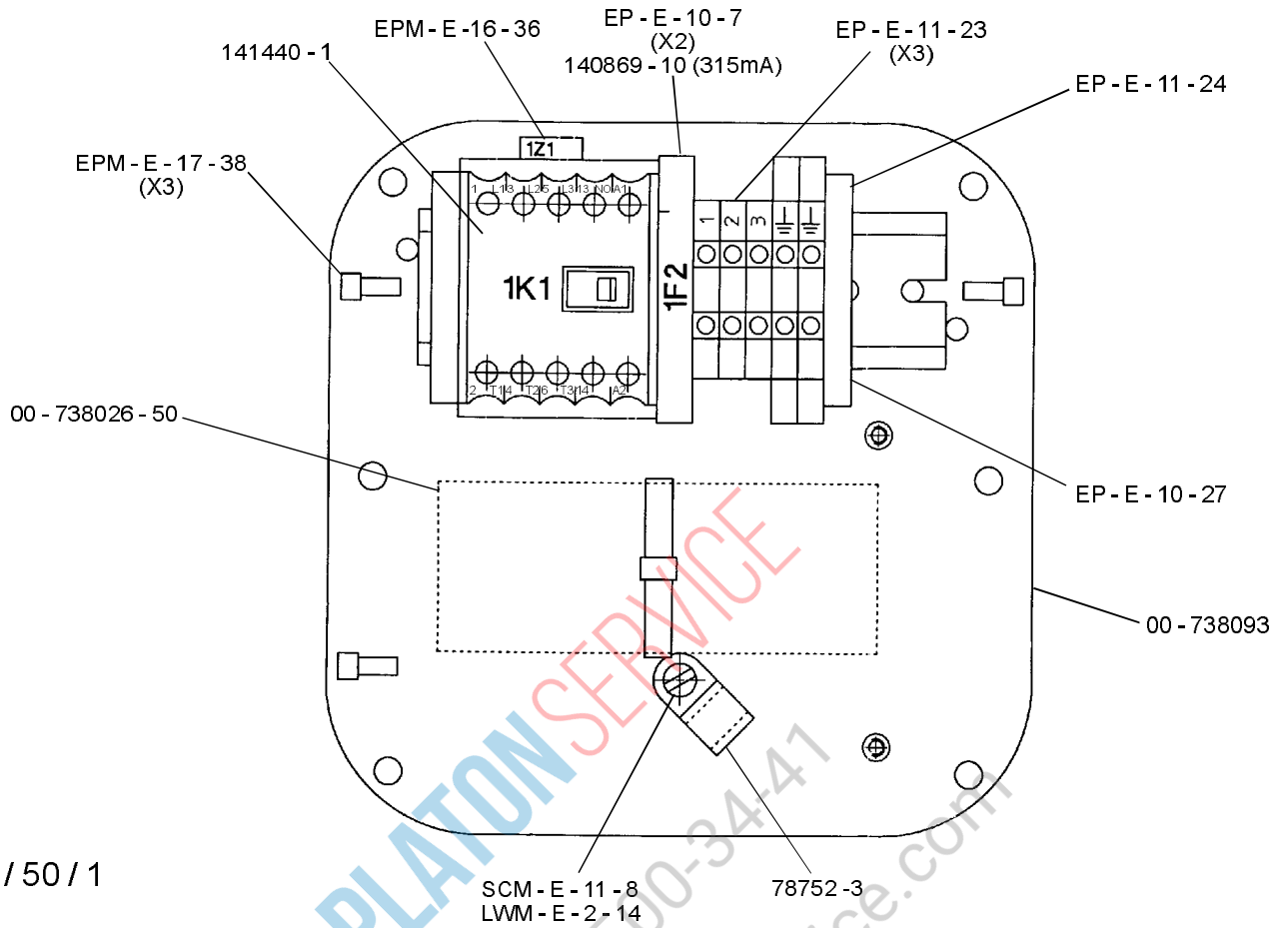
See page 17,18 & 19

Switch plate and timer
from serial No 97 0190 519

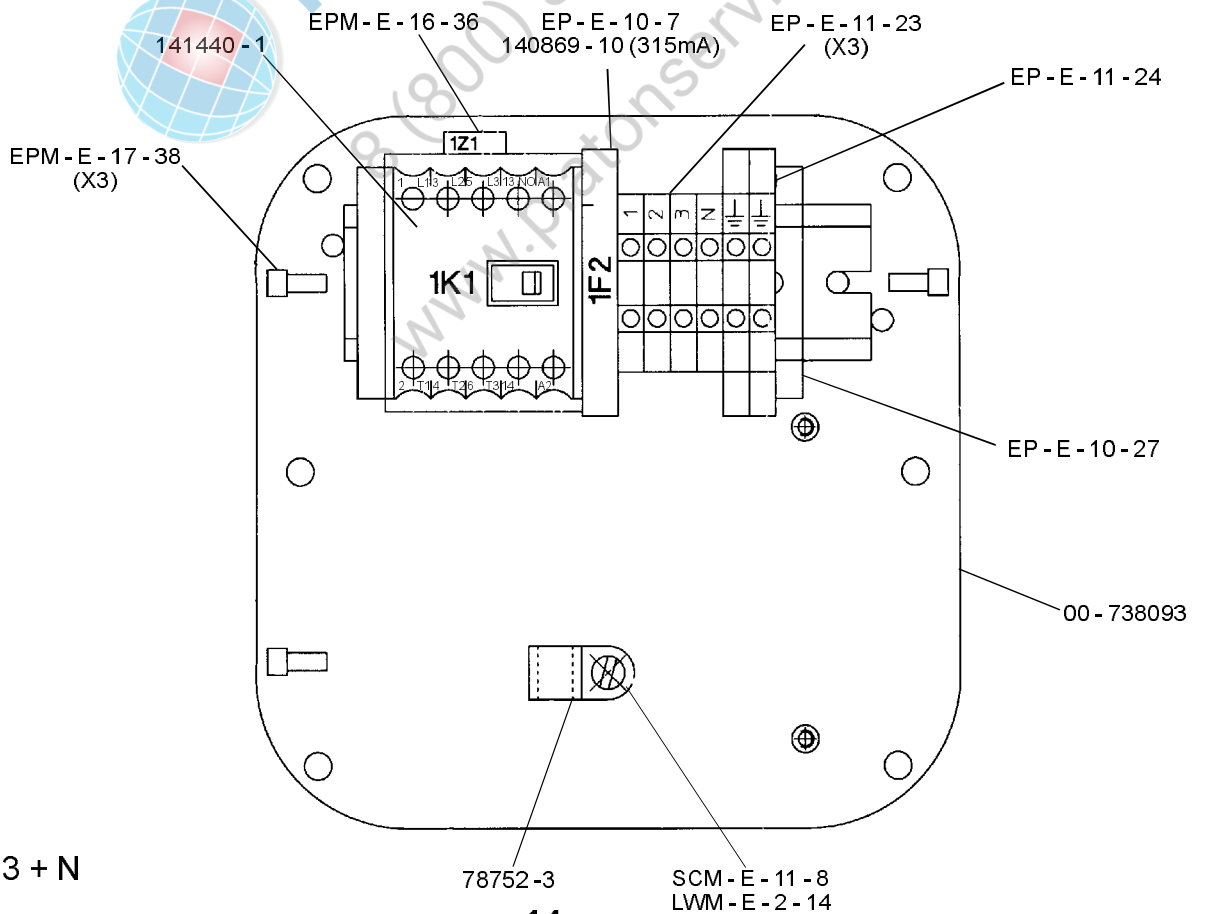




Electrical Parts (230v/50/1 & 400/50/3+N) Auxiliares eléctricas Electroteile



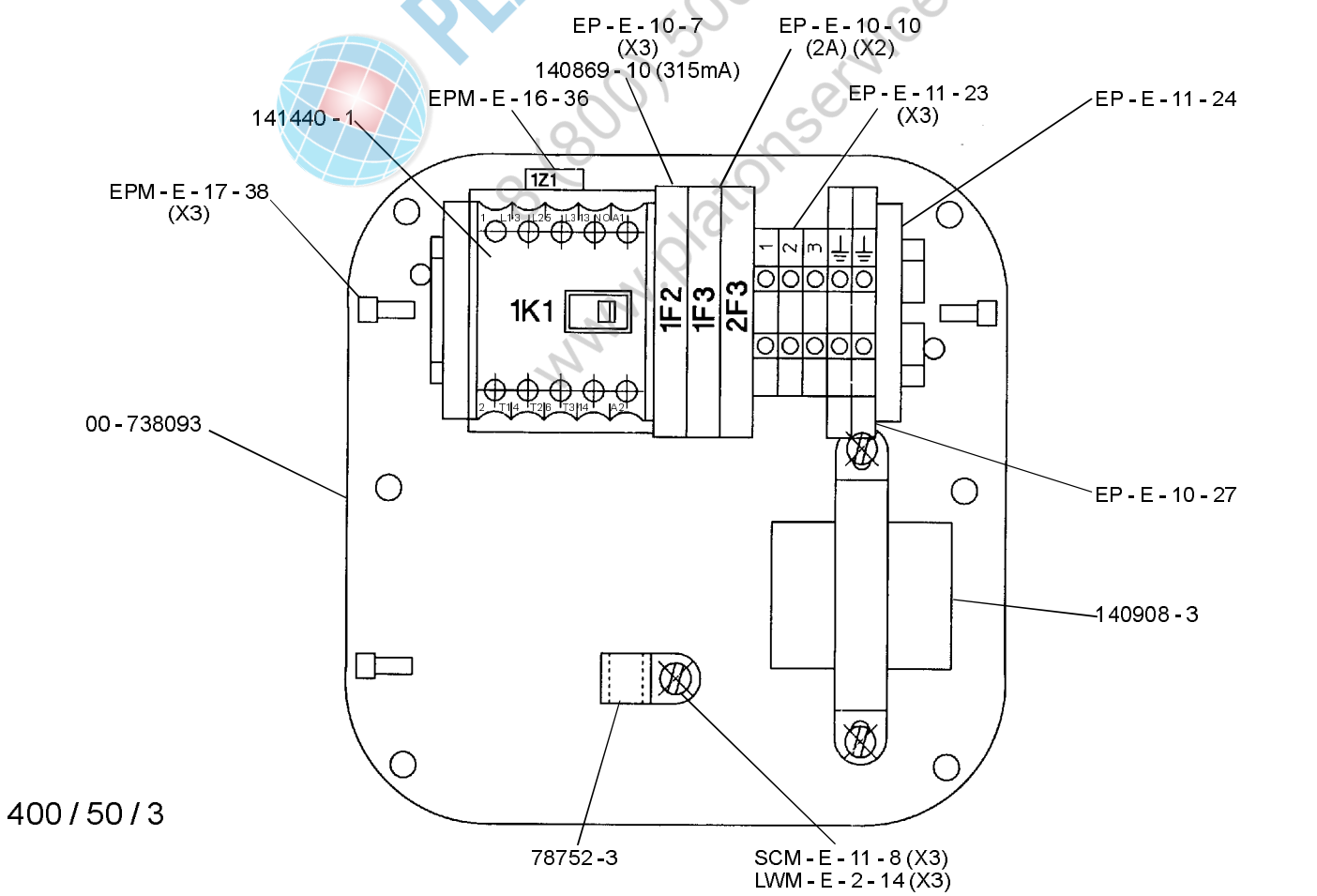
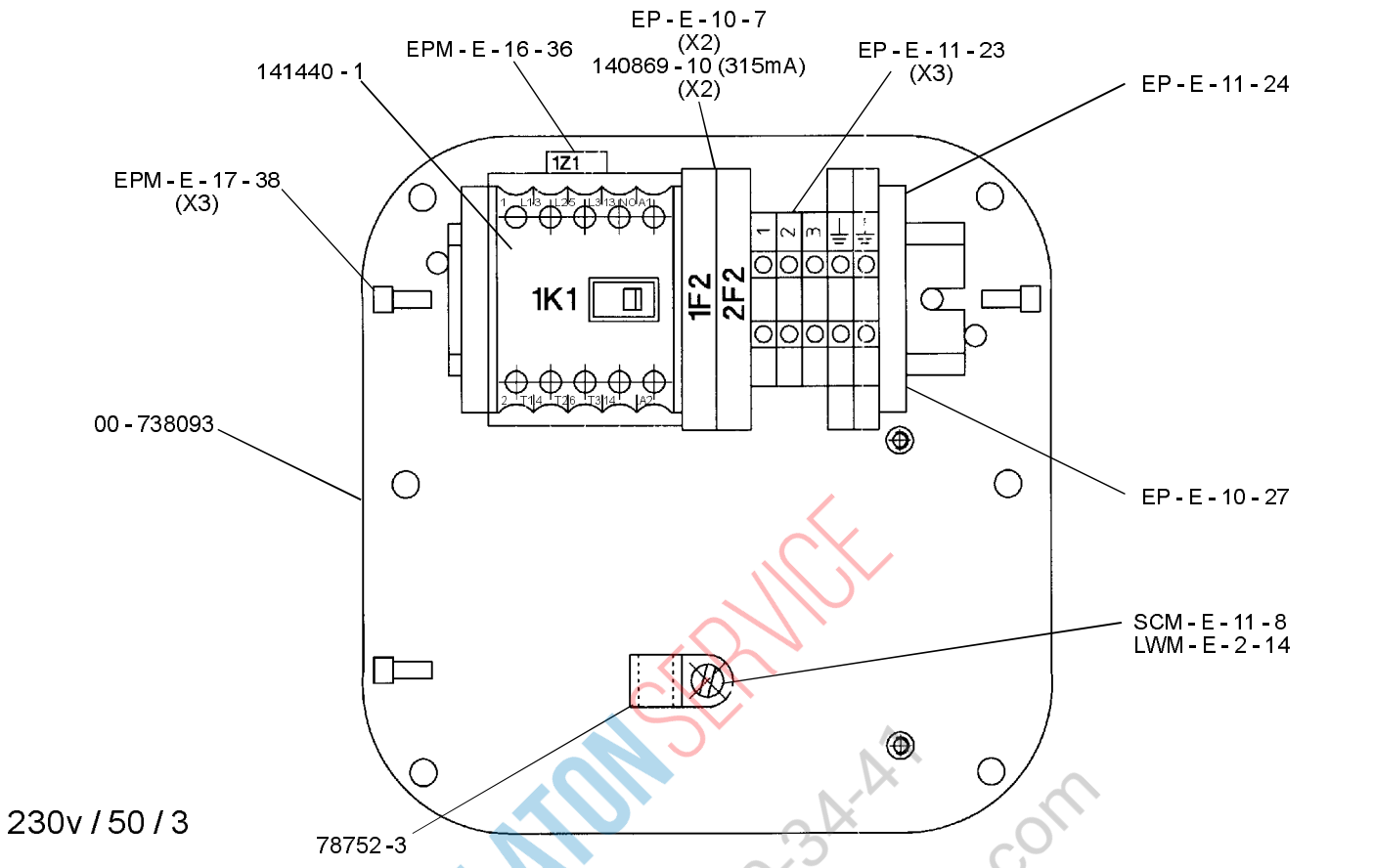
230v / 50 / 1



400 / 50 / 3 + N

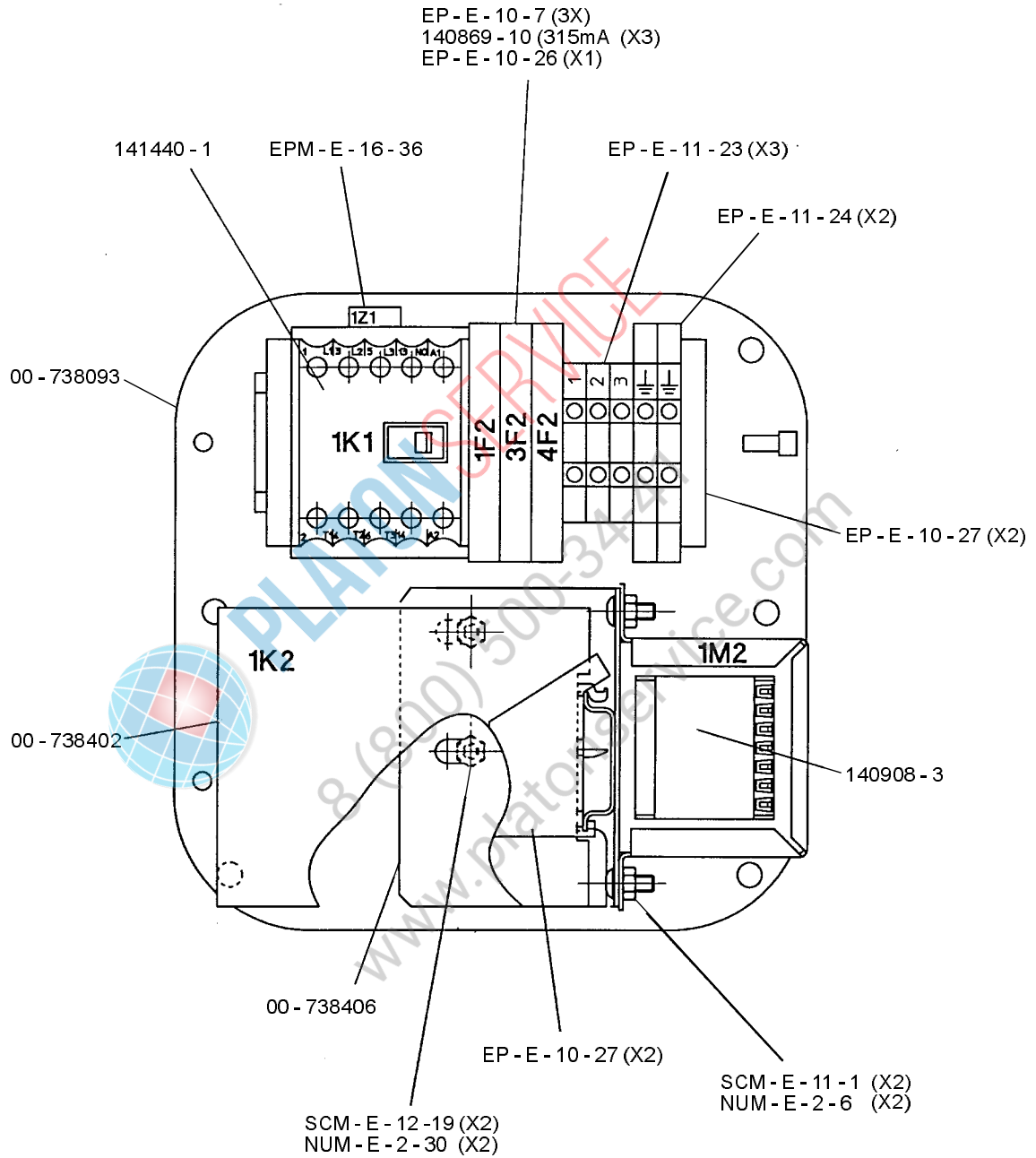
Electrical Parts (230v/50/3 & 400/50/3)
Auxiliares eléctricas
Electroteile

A200N



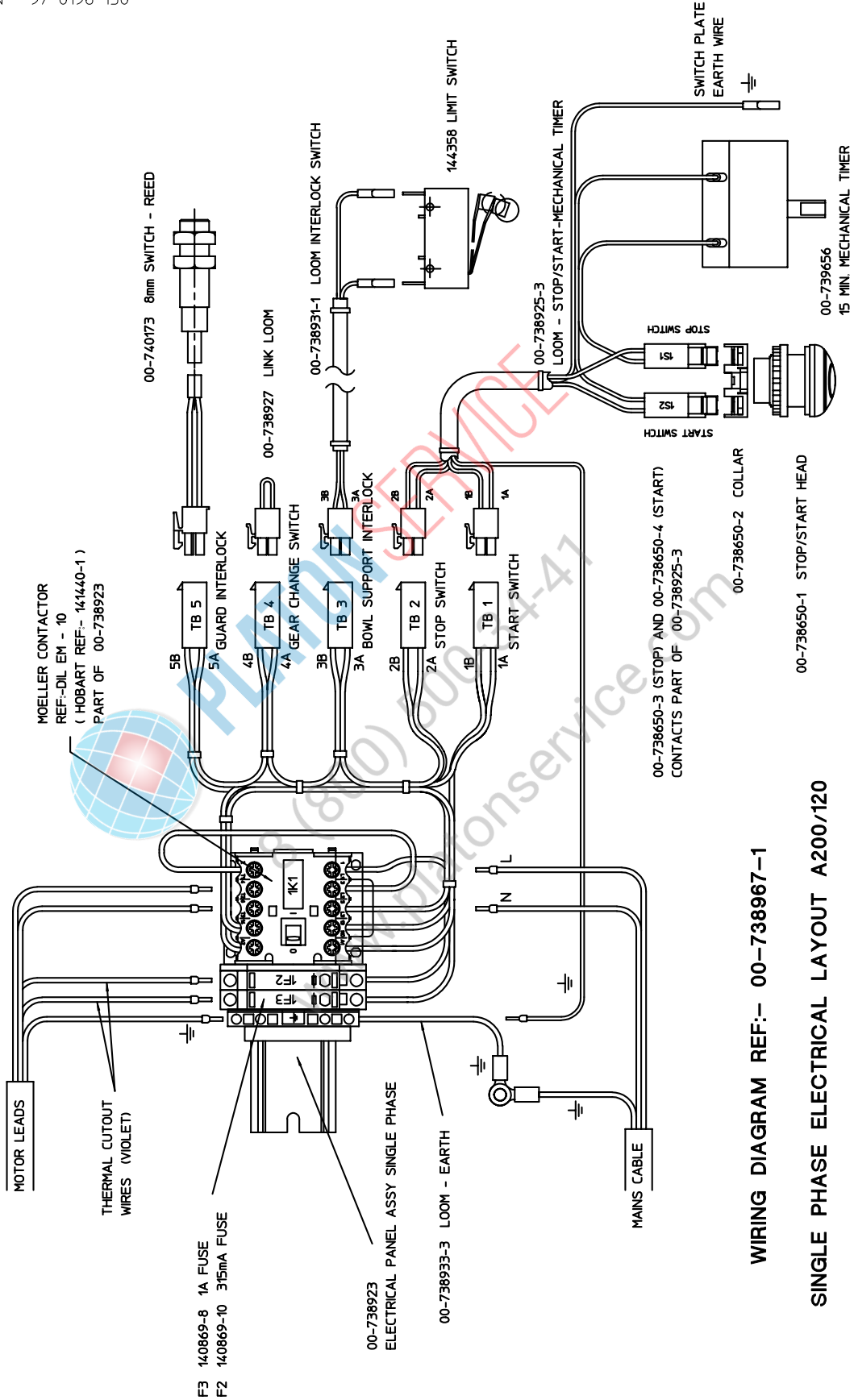


Electrical Parts (400/50/3 GERMAN) Auxiliares eléctricas Electroteile



400/50/3 (GERMAN)

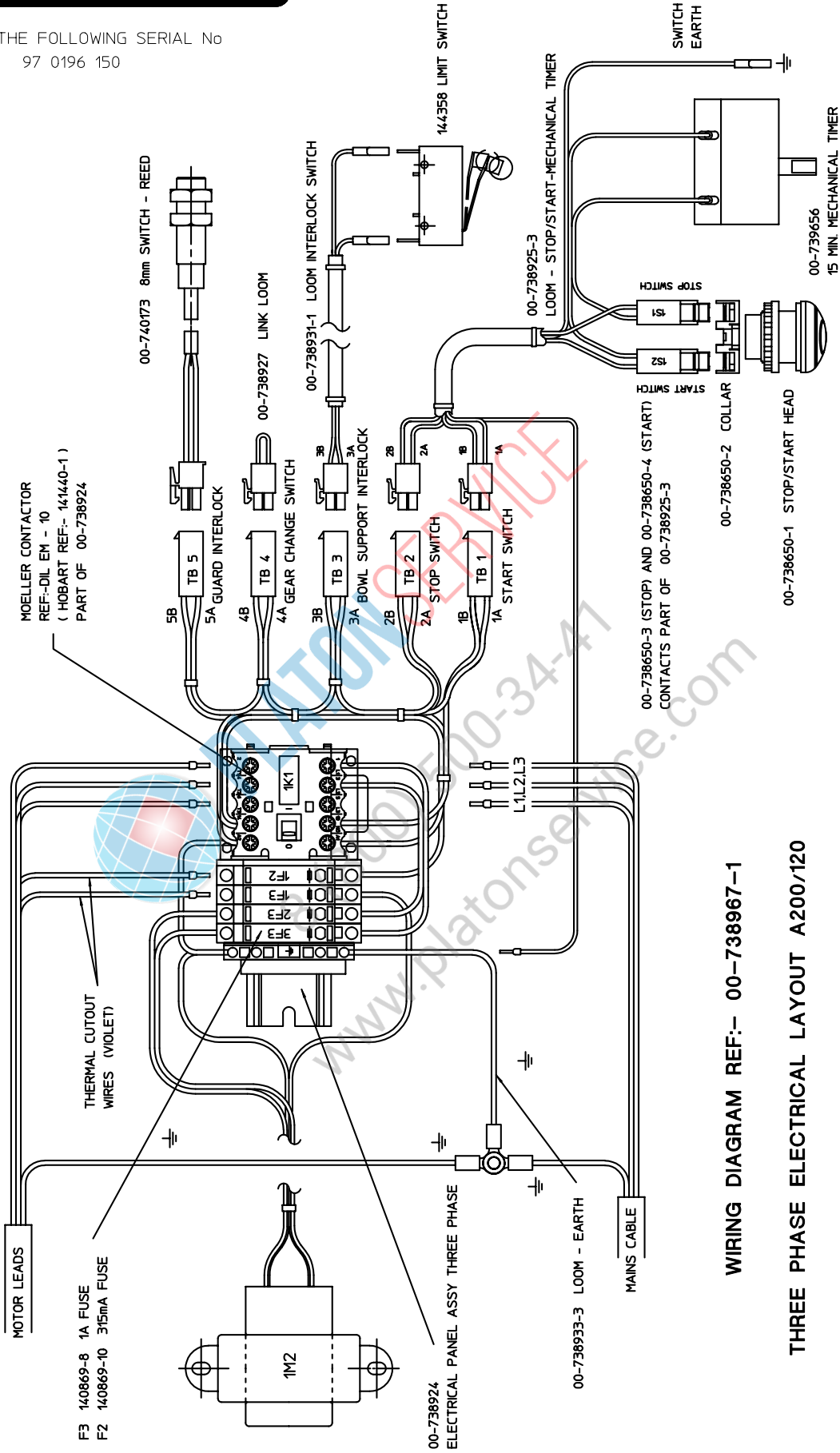
FROM THE FOLLOWING SERIAL No
A120/200N 97 0196 150



WIRING DIAGRAM REF:- 00-738967-1

SINGLE PHASE ELECTRICAL LAYOUT A200/120

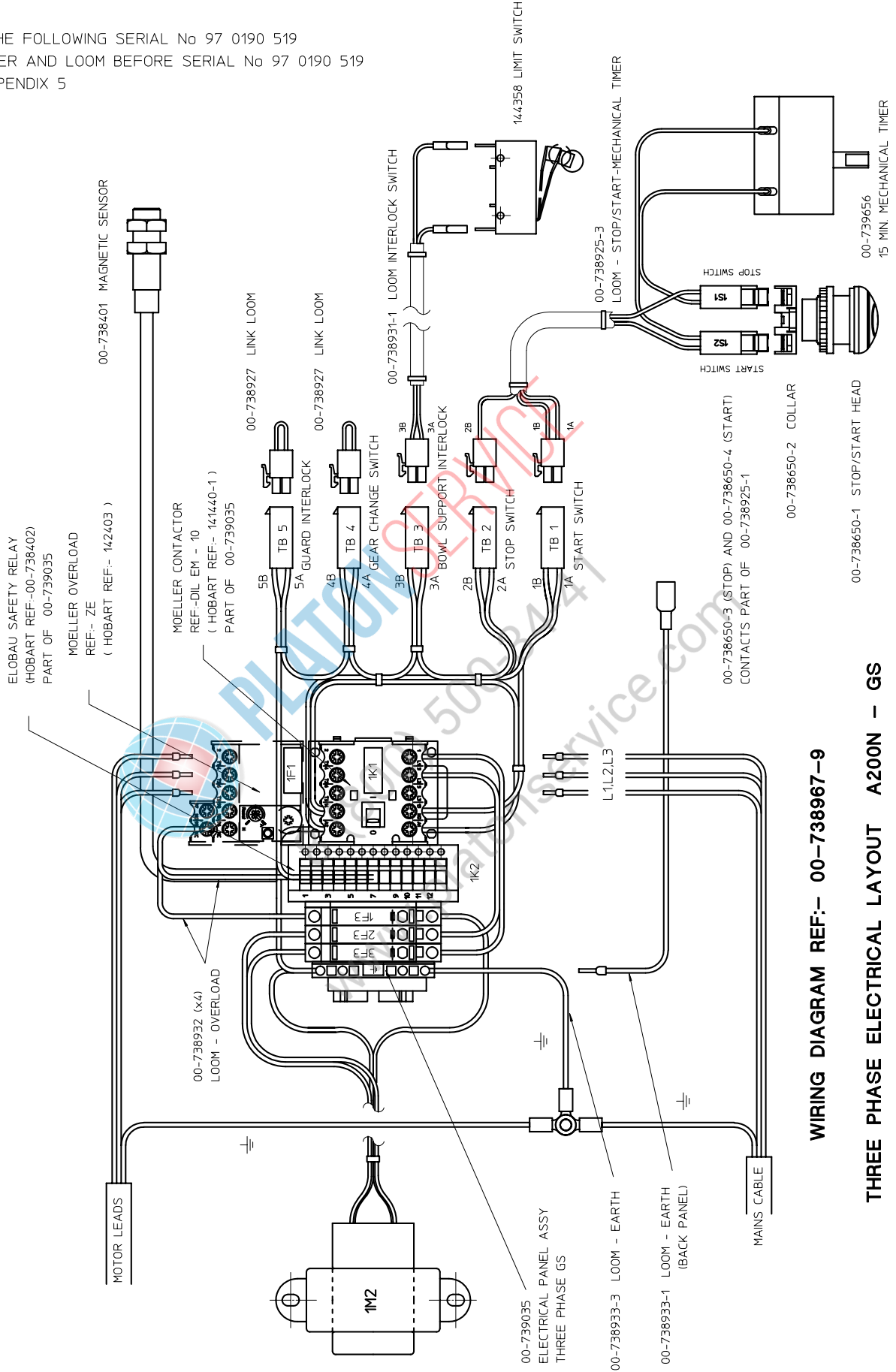
FROM THE FOLLOWING SERIAL No
A200N 97 0196 150



WIRING DIAGRAM REF:- 00-738967-1

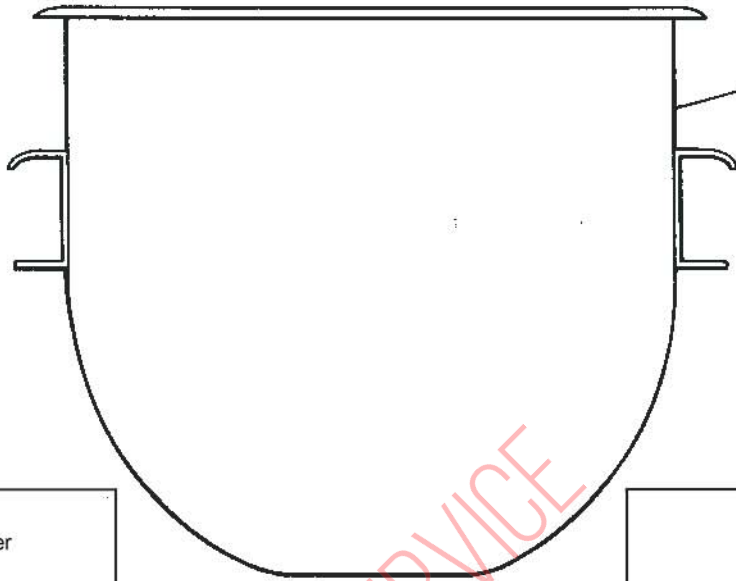
THREE PHASE ELECTRICAL LAYOUT A200/120

FROM THE FOLLOWING SERIAL No 97 0190 519
 FOR TIMER AND LOOM BEFORE SERIAL No 97 0190 519
 SEE APPENDIX 5



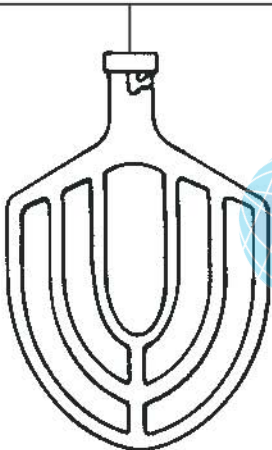
WIRING DIAGRAM REF:- 00-738967-9

THREE PHASE ELECTRICAL LAYOUT A200N - GS



62104 20qt
00-738450 10qt

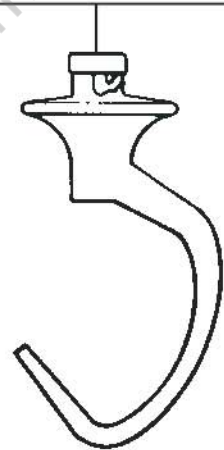
- 23126 20Lt "B" Beater
- 136915 10Lt "B" Beater
- 275559 20Lt "B" Beater ST.ST
- 136915-1 10Lt "B" Beater ST.ST



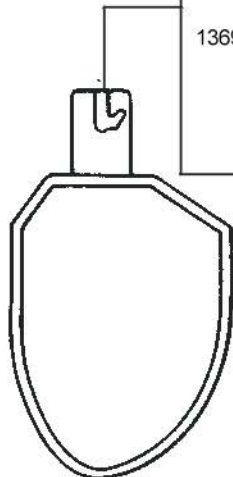
- 40293 20Lt "ED" Hook



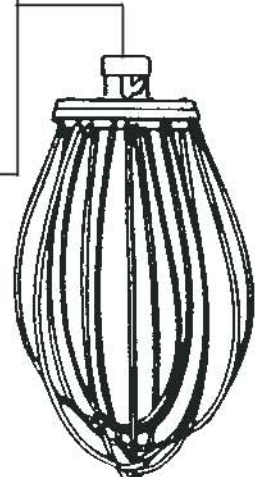
- 136912 10Lt "E" Hook



- 74286 20Lt "PK" Pastry knife
- 136914-2 10Lt "PK" Pastry knife ST.ST



- 23511-M 20D Whip
- 140249 10D Whip



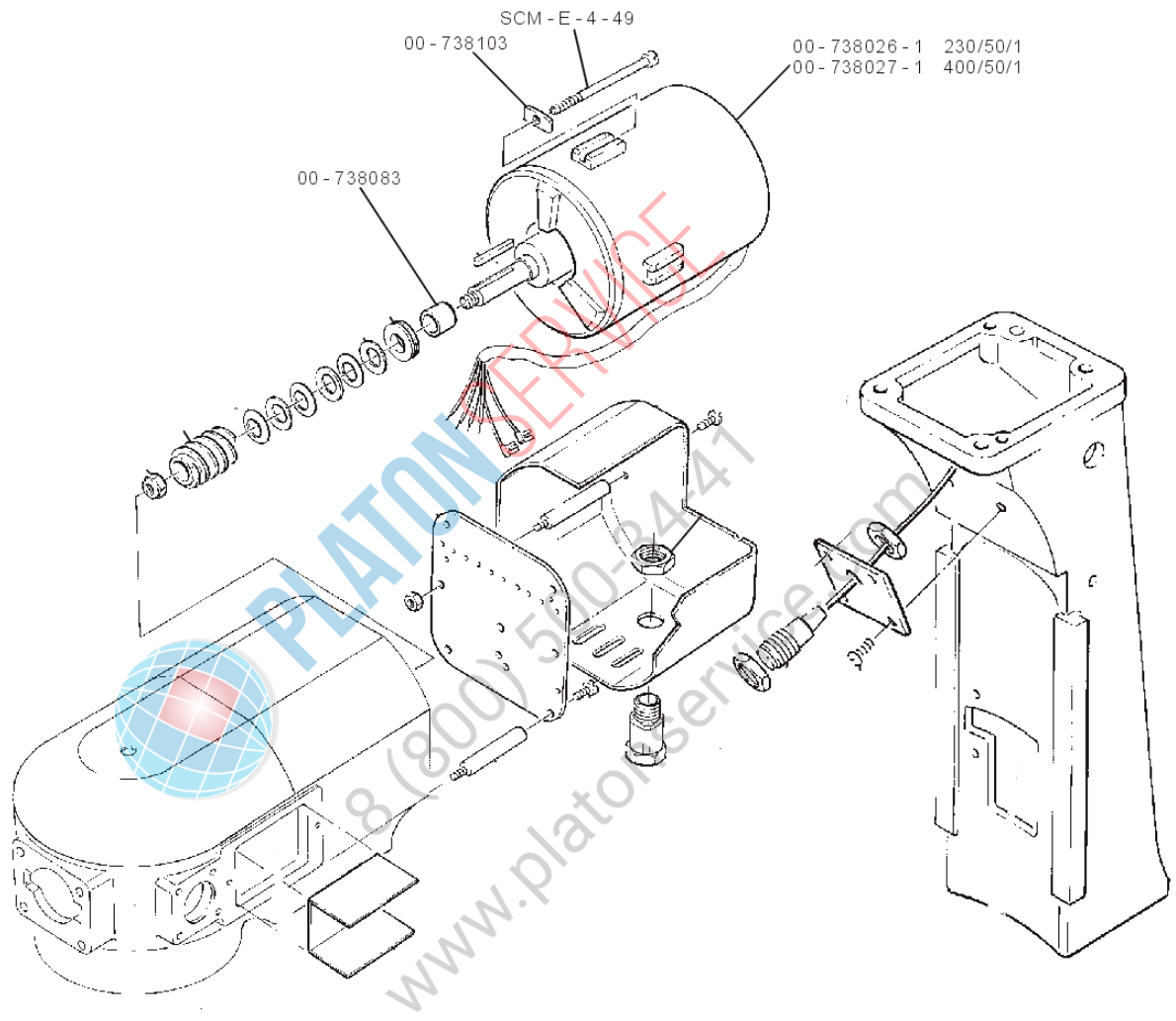
PLATON SERVICE
 8 (800) 500-34-47
 www.platonservice.com

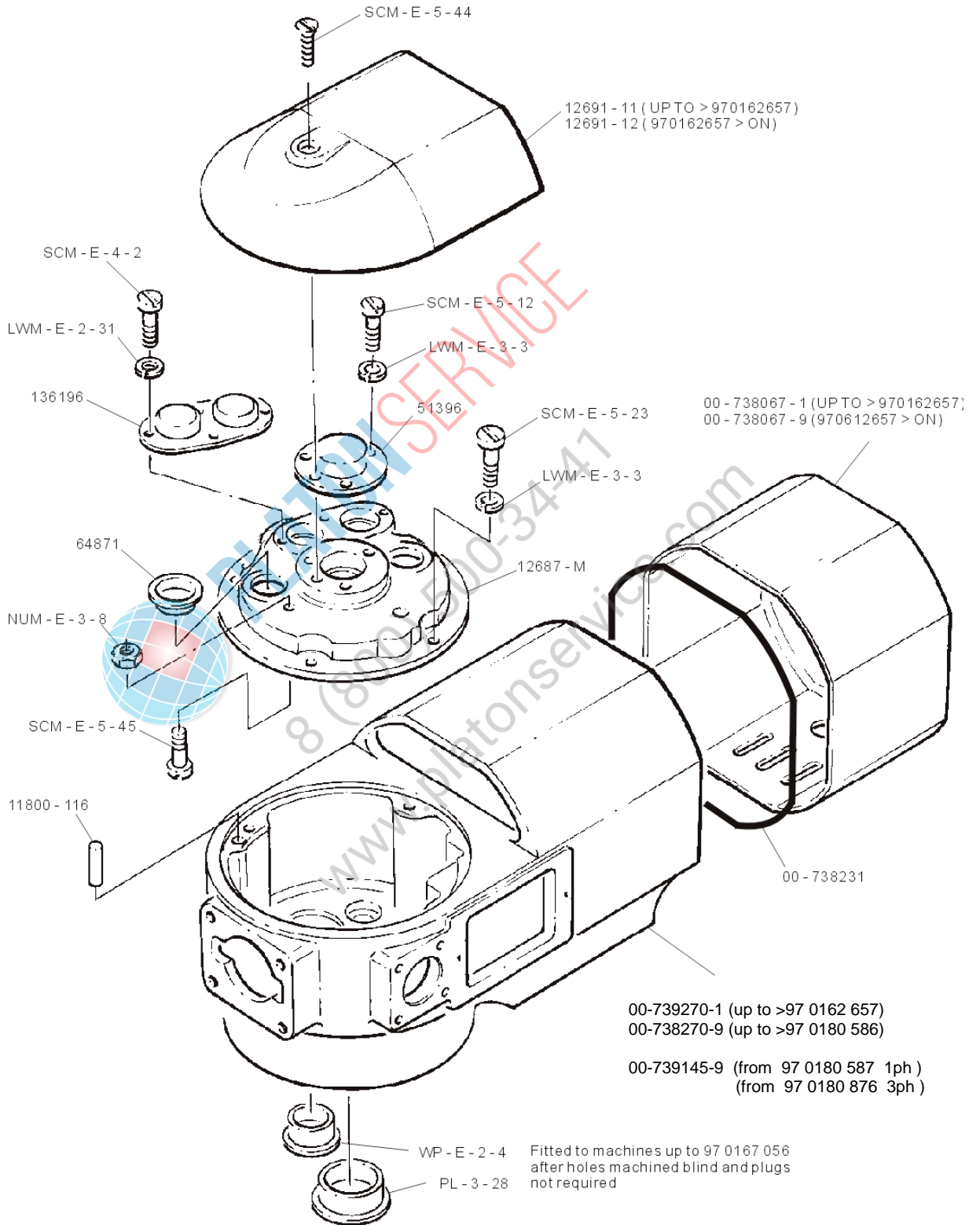


Electrical parts
Pièces Electriques
Elektoteile

A200N

Before serial No 97 0180 587 1PH 97 0180 876 3PH

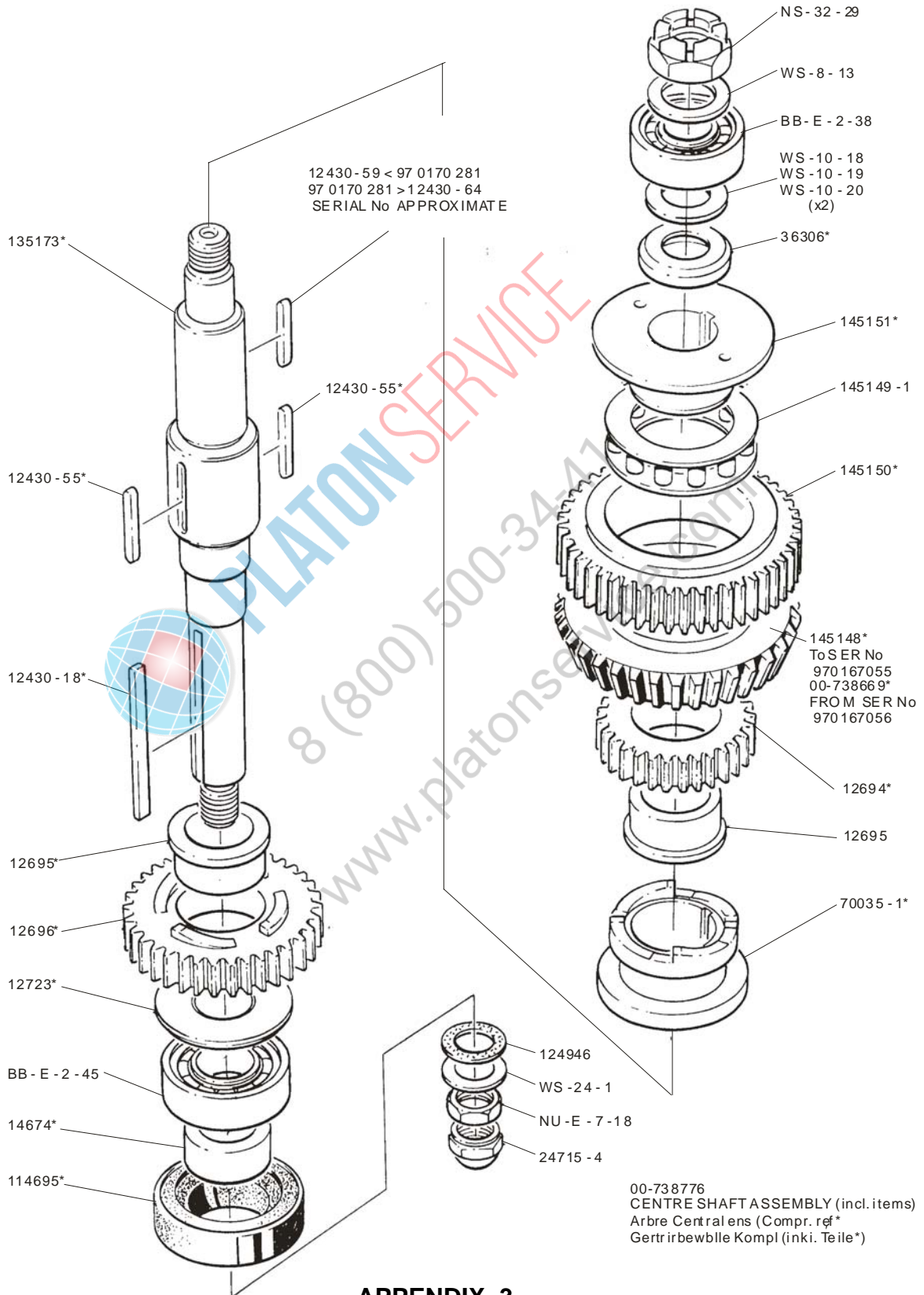




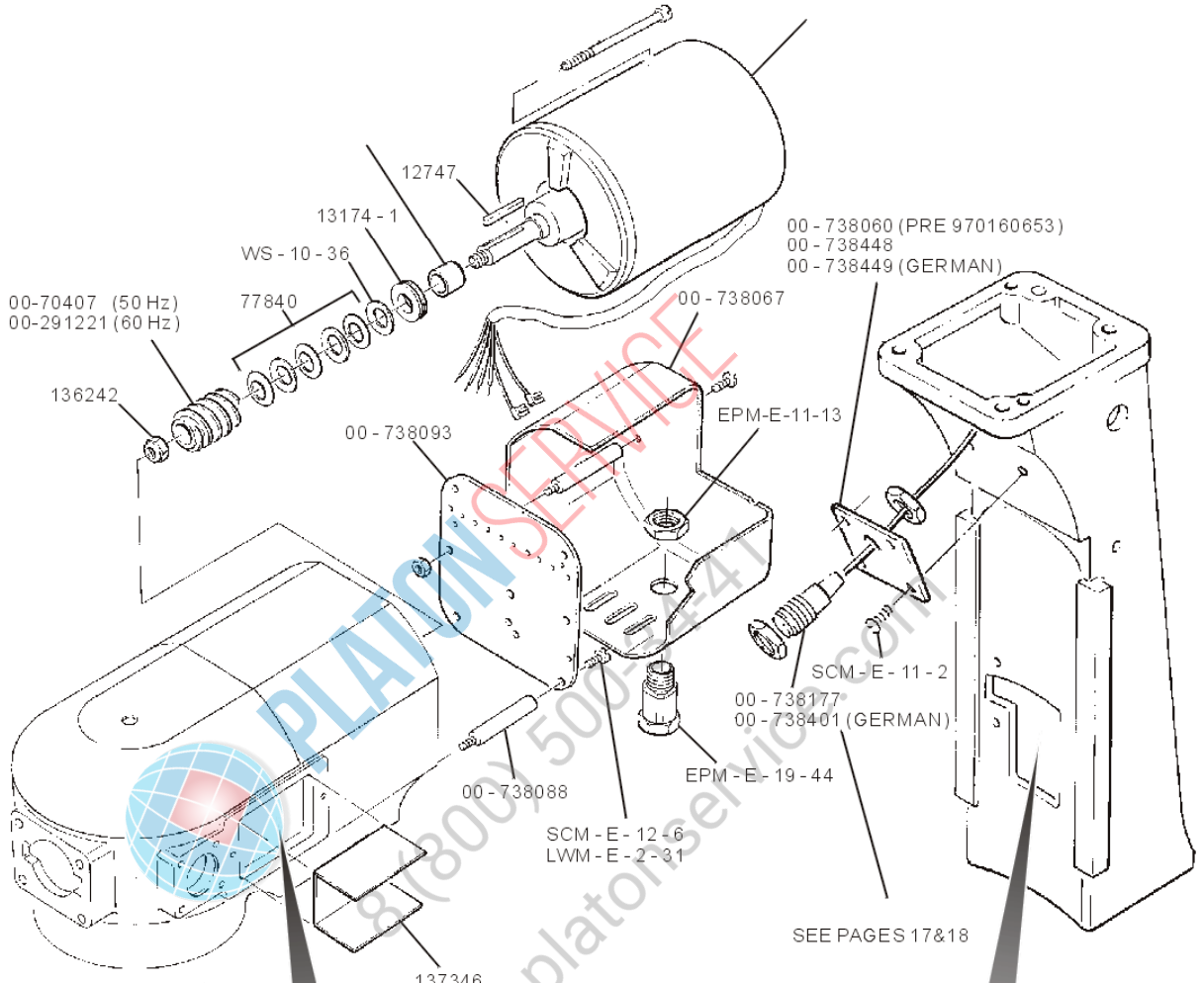


Transmission case
Boîte de Vitesses
Antriebsgehäuse

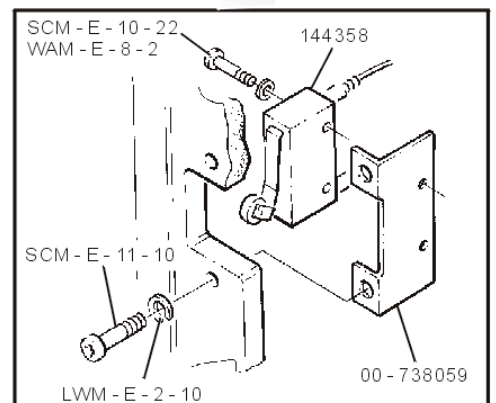
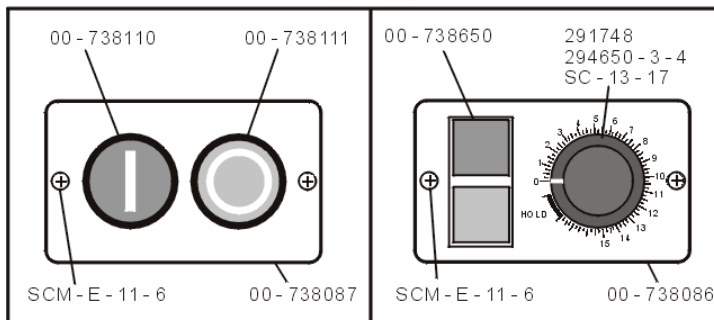
A200N



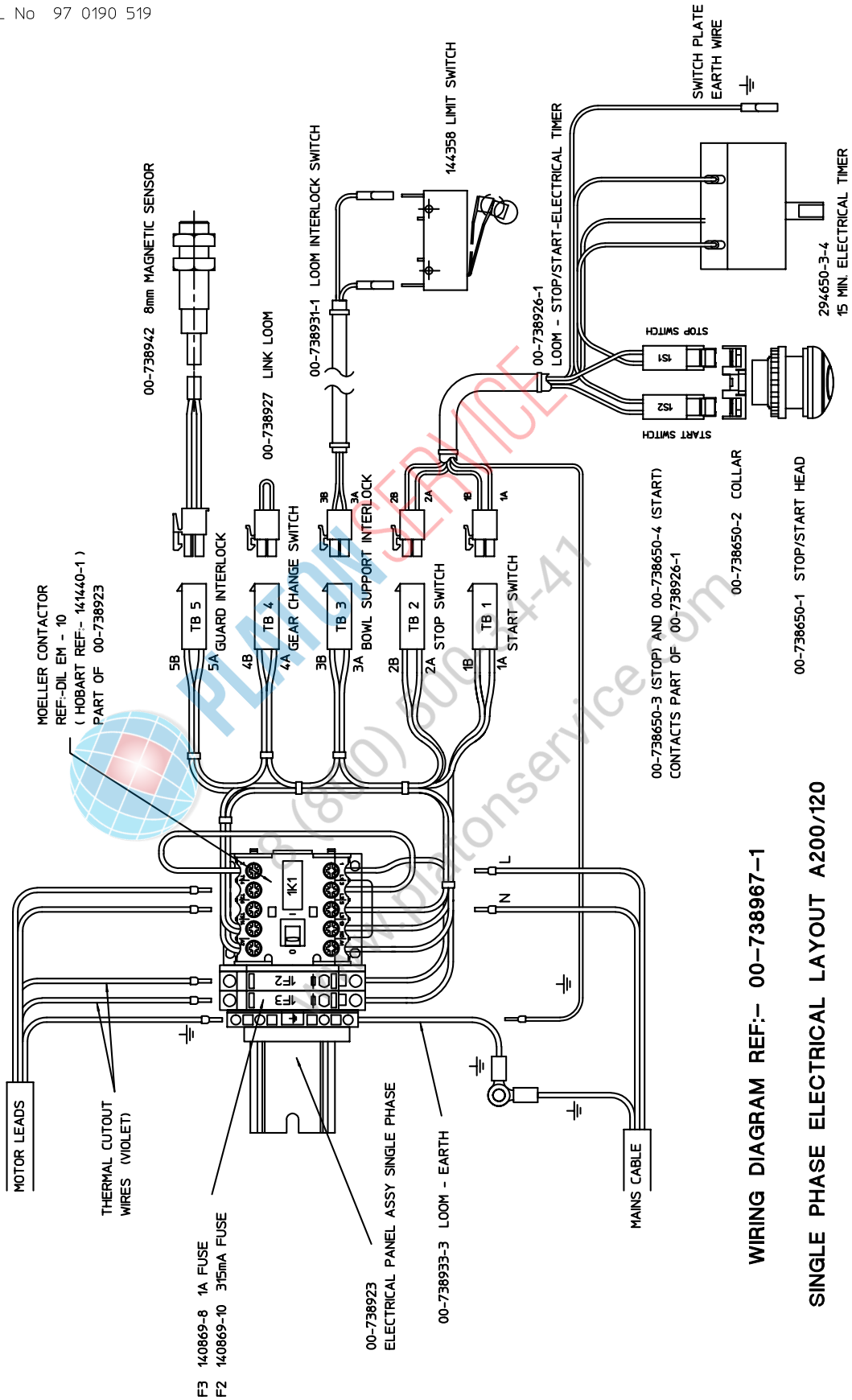
APPENDIX 3



Switch plates
before serial No 97 0190 519



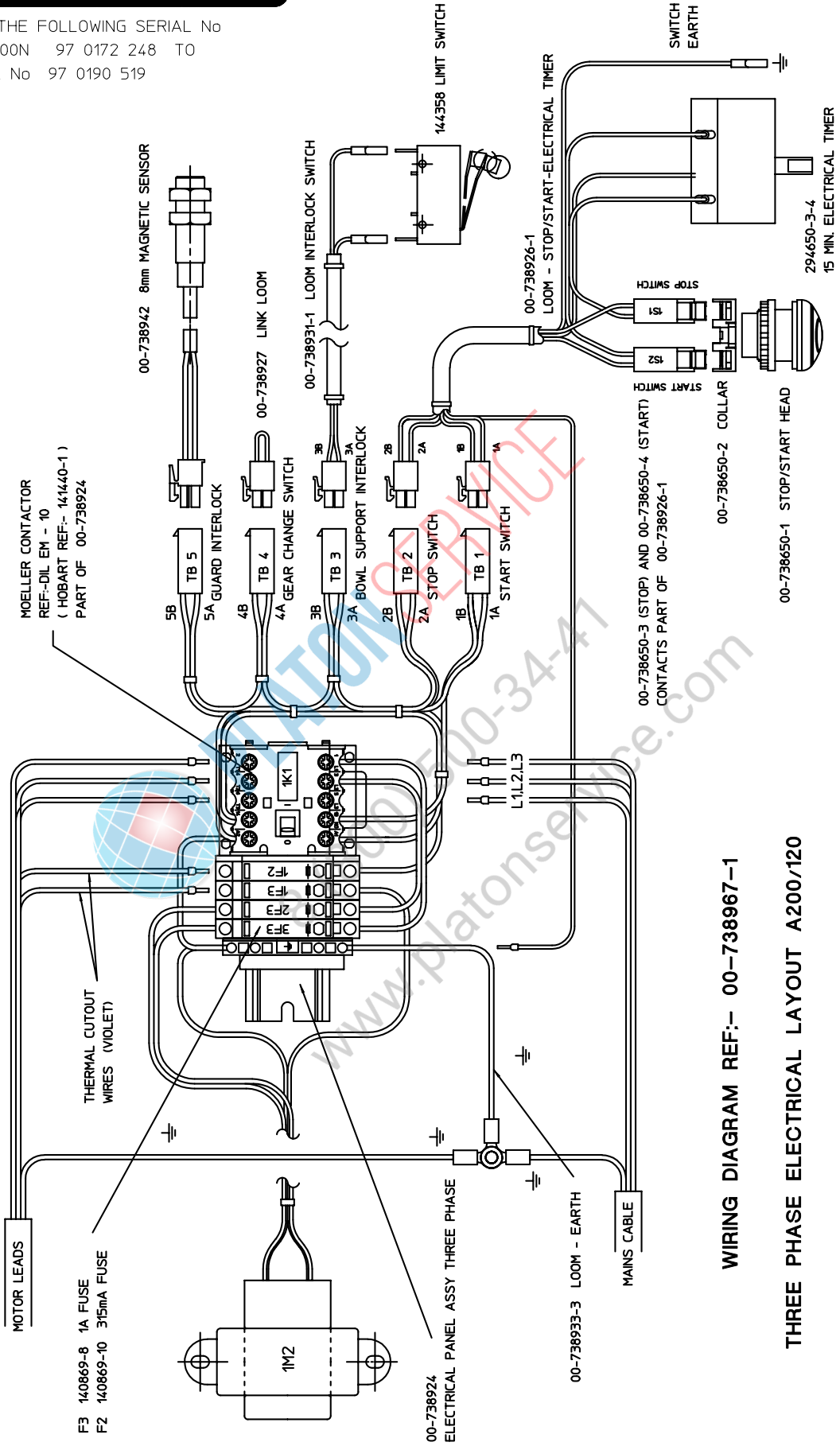
FROM THE FOLLOWING SERIAL No
 A120/200N 97 0172 672
 TO SERIAL No 97 0190 519



WIRING DIAGRAM REF:- 00-738967-1

SINGLE PHASE ELECTRICAL LAYOUT A200/120

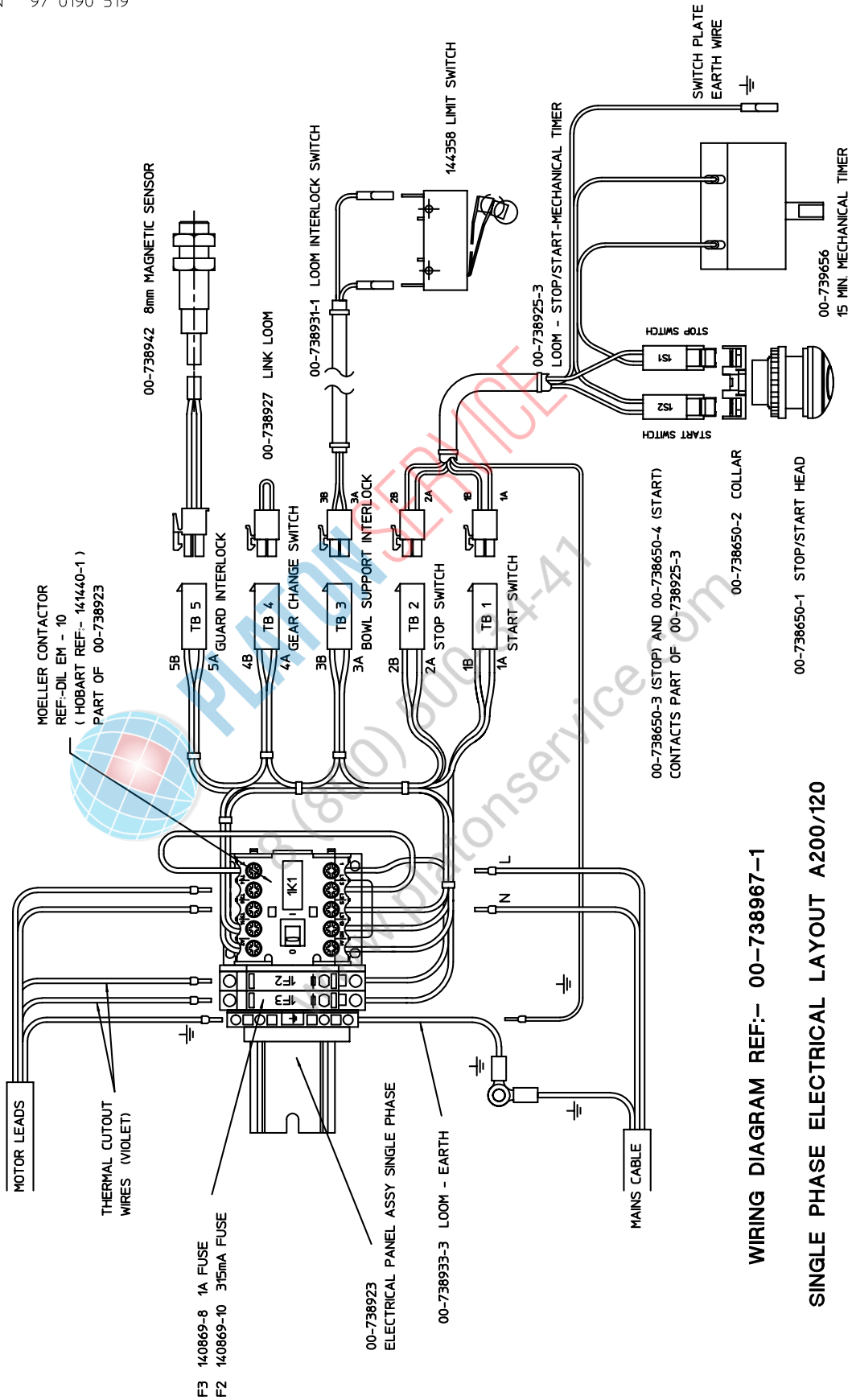
FROM THE FOLLOWING SERIAL No
 A120/200N 97 0172 248 TO
 SERIAL No 97 0190 519



WIRING DIAGRAM REF:- 00-738967-1

THREE PHASE ELECTRICAL LAYOUT A200/120

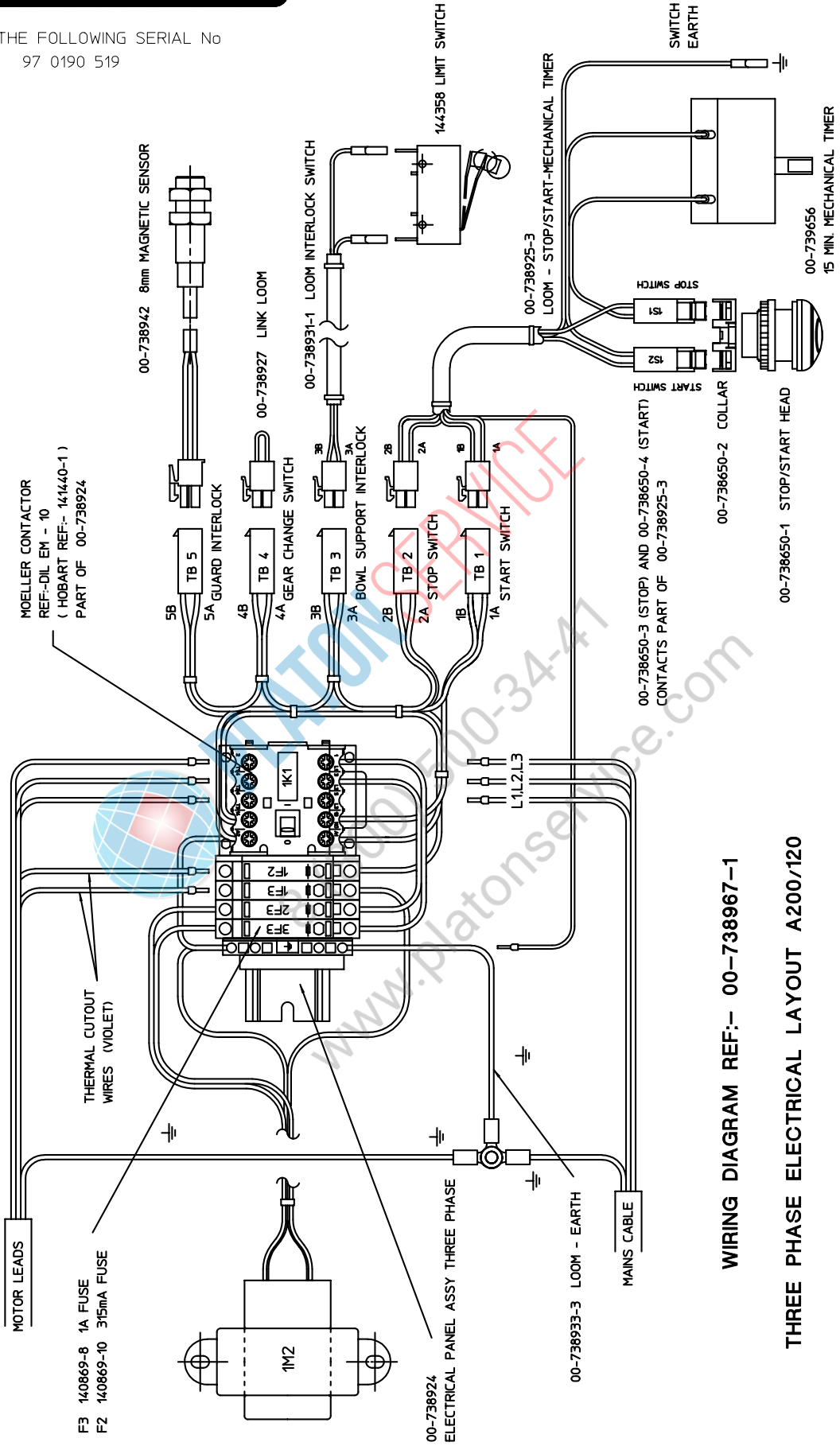
FROM THE FOLLOWING SERIAL No
A120/200N 97 0190 519



WIRING DIAGRAM REF:- 00-738967-1

SINGLE PHASE ELECTRICAL LAYOUT A200/120

FROM THE FOLLOWING SERIAL No
A200N 97 0190 519



WIRING DIAGRAM REF:- 00-738967-1

THREE PHASE ELECTRICAL LAYOUT A200/120

HOBART

Hobart trained service technicians strategically located at the listed Hobart branches are prepared to give you fast, efficient and reliable service. Protect your investment by having a Hobart inspection contract, which assures the continued, efficient operation of your Hobart machines, spares and accessories.

For further details contact:-

HOBART SERVICE UK

0844 888 7777

**Hobart UK
Hobart House, 51 The Bourne,
Southgate, London N14 6RT
Tel: 020 8920 2800 Fax 020 8886 0450
www.hobartuk.com**

Continued product improvement is a Hobart UK policy, specifications may change without notice.



HOBART SERVICE GERMANY

SERVICE-INFORMATIONEN UND -TELEFONNUMMERN.

Ausführliche Informationen erhalten Sie bei Ihrem Fachhändler, oder unter:

Service Tel. 01803 / 45 62 58 – www.hobart.de – info@hobart.de (innerhalb Deutschland)

HOBART behält sich das Recht vor, an allen Produkten Änderungen oder Verbesserungen ohne Ankündigungen vorzunehmen

HOBART SERVICE FRANCE

Telephone : 0825021222

Hobart ayant une politique d'amélioration constante de ses produits, les spécifications peuvent changer sans préavis.